

TRINITY Live

OPERATING MANUAL

April 2024 • 1.1 • English

D4510007861



Disclaimer

Before using the product, be sure to read and understand all respective instructions.

The product is available for commercial customers only.

For product specification changes since this document was published, refer to the latest publications of ARRI data sheets or data books, etc., for the most up-to-date specifications.

Not all products and / or types are available in every country. Please check with an ARRI sales representative for availability and additional information.

The information given in this document is subject to change without notice.

While ARRI endeavors to enhance the quality, reliability and safety of their products, customers agree and acknowledge that the possibility of defects thereof cannot be eliminated entirely. To minimize risk of damage to property or injury (including death) to persons arising from defects in the products, customers must incorporate adequate safety measures in their work with the system and have to heed the stated canonic use.

ARRI or its subsidiaries expressly exclude any liability, warranty, demand or other obligation for any claim, representation, or cause, or action, or whatsoever, express or implied, whether in contract or tort, including negligence, or incorporated in terms and conditions, whether by statute, law or otherwise. In no event shall ARRI or its subsidiaries be liable for or have a remedy for recovery of any special, direct, indirect, incidental, or consequential damages, including, but not limited to lost profits, lost savings, lost revenues or economic loss of any kind or for any claim by third party, downtime, good will, damage to or replacement of equipment or property, any cost or recovering of any material or goods associated with the assembly or use of our products, or any other damages or injury of the persons and so on or under any other legal theory.

Neither ARRI nor its subsidiaries assume any liability for infringement of patents, copyrights or other intellectual property rights of third parties by or arising from the use of ARRI products or any other liability arising from the use of such products. No license, express, implied or otherwise, is granted under any patents, copyrights or other intellectual property right of ARRI or others.

In the case one or all of the foregoing clauses are not allowed by applicable law, the fullest extent permissible clauses by applicable law are validated.

Imprint

© 2024 Arnold & Richter Cine Technik GmbH & Co. Betriebs KG. All rights reserved.

The device contains proprietary information of Arnold & Richter Cine Technik GmbH & Co. Betriebs KG; it is provided under a license agreement containing restrictions on use and disclosure and protected by copyright law. Reverse engineering of the software is prohibited.

No part of this publication may be used for distribution, reproduction, transmission, transcription, storage in a data retrieval system, or translated into any language in any form by any means without the prior written permission of Arnold & Richter Cine Technik GmbH & Co. Betriebs KG.

If you are downloading files from our web pages for your personal use, make sure to check for updated versions.

ARRI cannot take any liability whatsoever for downloaded files, as technical data are subject to change without notice.

Due to continued product development the information in this document may change without notice. The information and intellectual property contained herein is confidential between ARRI and the client and remains the exclusive property of ARRI. If you find any problems in the documentation, please report them to us in writing. ARRI does not warrant that this document is flawless.

ARRI, ARTEMIS 1, ARTEMIS 2, TRINITY 1, TRINITY 2, TRINITY live, SRH3, SRH360 and SRH360-EVO are trademarks or registered trademarks of Arnold & Richter Cine Technik GmbH & Co. Betriebs KG. All other brands or products mentioned are trademarks or registered trademarks of their respective holders and should be treated as such.

Original version.

For Further Assistance

Arnold & Richter Cine Technik GmbH & Co. Betriebs KG

Herbert-Bayer-Str. 10

D-80807 Munich

Germany

E-mail: service@arri.com

Website: www.arri.com/en/technical-service

Content

1	About This Document	6
2	Safety Instructions	7
3	About This Product	11
3.1	Intended Use	11
3.2	Description	11
3.3	Identification	11
3.4	Environmental Conditions	11
3.5	Technical Data	12
3.5.1	Dimensions	12
3.5.2	Specification	13
3.6	Product Layout	14
3.6.1	TRINITY Live Rig Overview	14
3.6.2	TRINITY Live Head Overview	14
3.6.3	TRINITY Live Head Details	15
3.6.4	TRINITY Live Top Stage / Battery Hanger Overview	16
3.6.5	TRINITY Live Pinouts	18
3.6.6	TRINITY Wiring Diagram	20
3.7	Certifications and Safety Standards	21
4	Mounting and Assembly	22
4.1	Wiring the System	22
4.1.1	Battery Mounts	22
4.1.2	To Position the Batteries	22
4.1.3	To Wire the Battery Hanger / Top Stage	23
4.1.4	To Connect Joystick and Monitor	23
4.1.5	To Connect the Camera	23
4.2	Center Post Installation and Operation	24
4.2.1	Center Post 1.8in Installation	24
4.3	Gimbal Installation and Operation	25
4.3.1	Gimbal 1.8in to Center Post Installation	25
5	Onboard User Interface	27
5.1	Overview	27
5.2	To Adjust the Roll Axis / Horizon	27
5.3	To Assign the Master Grip TRINITY Joystick	28
5.4	To Change Direction, Speed, Ramp and Window of the MGT Joysticks	28
5.5	To Change User Presets	28
6	Cleaning, Maintenance and Repair	29
6.1	Cleaning Instructions	29
6.2	Maintenance and Repair	29
7	Transportation, Storage and Disposal	30
7.1	Transportation and Storage	30
7.2	Disposal	30
8	ARRI Service Contacts	31

1 About This Document

This operating manual is aimed at everyone involved in using the device. It provides directions on how to operate it safely and as intended. To ensure safe and correct use, all users must read the operating manual before using the device for the first time.

This operating manual is an essential part of the device. It must be easily accessible and in close proximity to the device so that users can use it as a reference anytime.

The separate user manual contains more detailed information about the features and functionalities of the device. Please visit the website www.arri.com to download the user manual.

Keep the operating manual, the user manual and all other operating and assembly instructions belonging to the device in a safe place for future reference and possible subsequent owners.

For more details about the product, please refer to the ARRI website at:

[TRINITY live product page](#)



Searchkeys:
TRINITY Live, K2.0047648

[ARRI documentation portal](#)



Document Revision History

Document ID: D45 1000 7861

Version	Release	Date	Note
1.0		November 2023	First Release
1.1	K11413	April 2024	Some minor changes

2 Safety Instructions

This safety information is in addition to the specific operating instructions in general and must be strictly observed for safety reasons. Read and understand all safety and operating instructions before you operate or install the device. Retain all safety and operating instructions for future reference. Always follow the instructions in this and all documents supplied with the device to avoid injury to yourself or others and damage to the device or other objects.

Assembly and operation should only be carried out by trained staff familiar with the device. Only use the tools, materials and procedures recommended in this document. For the correct use of other equipment, see the manufacturer's instructions.

These instructions use safety instructions, warning symbols and signal words to draw your attention to different levels of risk:



DANGER

DANGER indicates an imminent danger. If not avoided, death or serious injury will result.

Always follow the recommended measures to avoid this hazardous situation.



WARNING

WARNING indicates a possibly imminent danger. If not avoided death or serious injury may result.

Always follow the recommended measures to avoid this potentially hazardous situation.



CAUTION

CAUTION indicates a potentially imminent danger. If not avoided, slight or minor injuries may result.

Always follow the recommended measures to avoid this potentially hazardous situation.



NOTICE

NOTICE indicates a potentially harmful situation. If not avoided, the equipment or something in its surrounding may be damaged.

Always follow the recommended measures to avoid this situation.

HINT

Not relevant to safety, **HINT** provides additional information to clarify or simplify a procedure.

Warning Symbols and Product Labels



General warning sign



Warning of electrical voltage



Warning of hot surfaces



Warning of sharp element



Warning of the risk of crushing



Warning of obstacles on the ground



Please read all instructions carefully before using the product for the first time.



Direct Current symbol found on electronics requiring or producing DC power.



WARNING

Operation of the TRINITY Live in Case of Obvious Damage

Risk of electric shock and fire hazard caused by short circuit.

- ▶ Never use the device if electrical lines or housing are visibly damaged.
- ▶ Only use the type of power source indicated in the manual.
- ▶ Always grip the power plug to unplug the power cable.
- ▶ Do not lay cables over sharp edges (e.g. sheet metal, profile or other cut edges). Damaged cables can cause electric shock, short circuit or fire.
- ▶ Do not remove or deactivate any safety measures from the device (incl. warning stickers or paint marked screws).
- ▶ Do not try to repair the device. Repairs may only be carried out by an authorized ARRI service center.



WARNING

Falling System Parts

Do not built up or assemble the TRINITY Live the wrong way. It can fall down and cause serious injuries and damage to the product or property.

- ▶ Installation and operation must only be carried out by approved persons who know the product. Obey the accident prevention regulations.
- ▶ Never put the product on a not stable trolley or hand truck, stand, tripod, bracket, table or any other not stable support device.
- ▶ Always place the product on dedicated support devices.
- ▶ Secure the product and its accessories against falling and tipping over. Obey the general and local safety regulations.
- ▶ Always use a suitable safety rope when you use the product above floor level (i.e. on cranes).



WARNING

Positioning the TRINITY Live on an Inclined or not safe Surface

Risk of injury caused by the TRINITY Live tipping over.

- ▶ Obey the accident prevention regulations.
- ▶ Put the device on level and stable ground that can support the weight of the device and all accessories.
- ▶ Do not put the device on an unstable trolley or hand truck, stand, tripod, bracket, table or any other unstable support device.
- ▶ Always put the device on dedicated support devices.
- ▶ Use only accessories approved by ARRI. The use of accessories not approved by ARRI is at your own risk. Please obey all related safety guidelines.



WARNING

Overloading the TRINITY Live by Persons or Objects

Risk of injury caused by the TRINITY Live tipping over.

- ▶ Do not lean on the device.
- ▶ Do not put any not approved objects on the device.
- ▶ Do not hang any not approved objects on the device.
- ▶ Use only accessories approved by ARRI. The use of accessories not approved by ARRI is at your own risk. Please obey all related safety guidelines.



WARNING

Connected Cable on the Floor

Risk of injury caused by tripping, falling or slipping over connected cables.

- ▶ Always properly secure cables connected to the device and accessories.
- ▶ Always install cables that they cannot be tripped over.
- ▶ If necessary, use a cable duct or secure the cables with adhesive tape.
- ▶ Always disconnect the cables from the device and accessories before moving.



CAUTION

Use of the TRINITY Live or TRINITY Live Accessories in a Humid Environment and with Condensation

When you move the device and the accessories from a cool to a warm location or when the device is used in a damp environment, condensation may form inside the device, and on internal or external electrical connections. Do not operate the device while condensation is present. It bears risk of electric shock and/or fire caused by a short circuit.

- ▶ Do not operate the device and accessories when condensation occurs.
- ▶ When you move the device and accessories from a cool to a warm environment, wait for some time for the components to warm up.
- ▶ Find a warmer storage location to decrease the risk of condensation.



CAUTION

Hot Surfaces on TRINITY Live and TRINITY Live Accessories

During extended operation, high data rates and/or operation at high ambient temperatures, the device's surface and the area around the fan outlet can get hot. Direct sunlight can result in device housing temperatures above 60° C (140° F).

- ▶ Do not put covers on, clog or block the fan in- or outlets while the device is powered.
- ▶ Do not put the device system near any heat sources during operation.
- ▶ At ambient temperatures above 25° C (77° F), prevent the device and accessories from being exposed to direct sunlight.



CAUTION

Unhealthy Posture or too much Physical Exertion During Operation

Improper handling of the TRINITY Live bears risk of permanent long term physical damage to the human locomotive system.

- ▶ Keep an ergonomic posture when operating and carrying the TRINITY Live.



CAUTION

Radio Radiation caused by External Radio Accessories

May cause physical impairments such as sleep disturbances and stress.

- ▶ Always follow the manufacturers instructions.
- ▶ Use only TRINITY Live components approved by ARRI. The use of components not approved by ARRI is at your own risk.
- ▶ Obey all relevant safety guidelines.



NOTICE

Powering the TRINITY Live Head, Top and Bottom Stage at the Same Time

This would cause more than the allowed amount of volts to flow through the TRINITY Live. Risk of damage to the accessories.

- ▶ Only use the Top Stage **TST-2** in combination with the Battery Hanger Module **BHM-2** for the **internal power supply** of the TRINITY Live head. Alternatively an external power source can be used to power the TRINITY Live head.
- ▶ **DO NOT combine** the **internal** with an **external** power supply!

3 About This Product

3.1 Intended Use

TRINITY Live is a camera stabilizer system specifically designed for broadcast use.



NOTICE

All versions of the TRINITY Live and its accessories are intended exclusively for professional use. It must be used only by skilled and trained personnel. The product and its accessories must not be used by inexperienced users and without proper training.

Read and understand the operating manual and the user manual before use.

Use the product and its accessories only for the purpose described in this document. Always follow the safety instructions and system requirements for all equipment involved. ARRI assumes no liability for damages or changes that are caused by improper use. You are not allowed to modify the product and its accessories.

3.2 Description

TRINITY Live is a five-axis, body-mounted camera stabilizer specifically designed for broadcast use.

Any influences from the movement of the user, which can negatively affect the image, are completely eliminated by the TRINITY Live system. In addition, the user can directly influence the position of the camera in space and in relation to the object.

A combination of mechanical and electronic stabilization ensures perfect image quality and the joystick control opens up countless creative possibilities. Automated motion sequences of the TRINITY 2 ensure precise reproduction of tracking shots.

3.3 Identification



The TRINITY Live serial number is located on the product label on the rear side of the TRINITY Live.

The serial number consists of the last 4 digits of the product number K2.00YYYYYY-1234 (here: 1234).

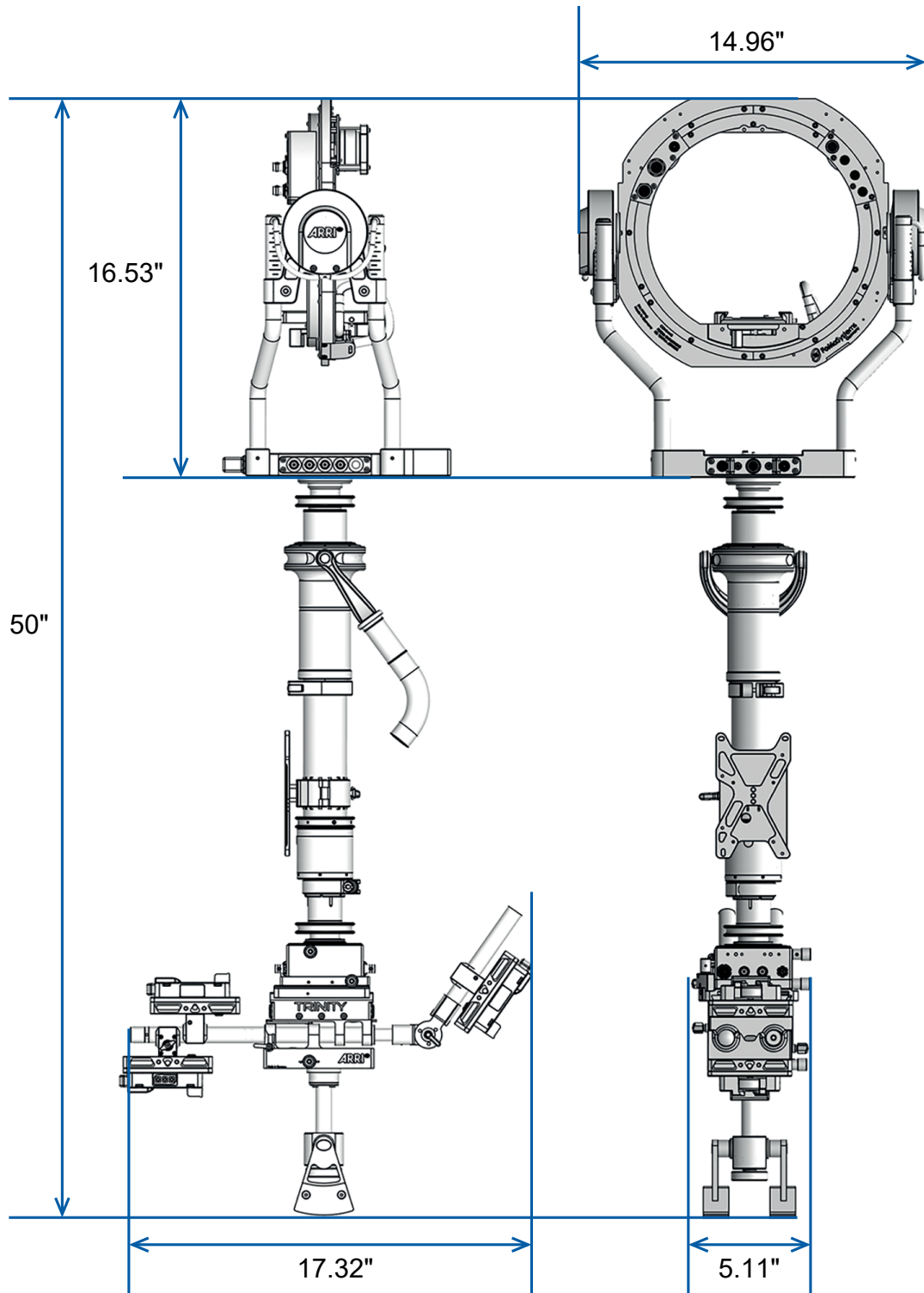
3.4 Environmental Conditions

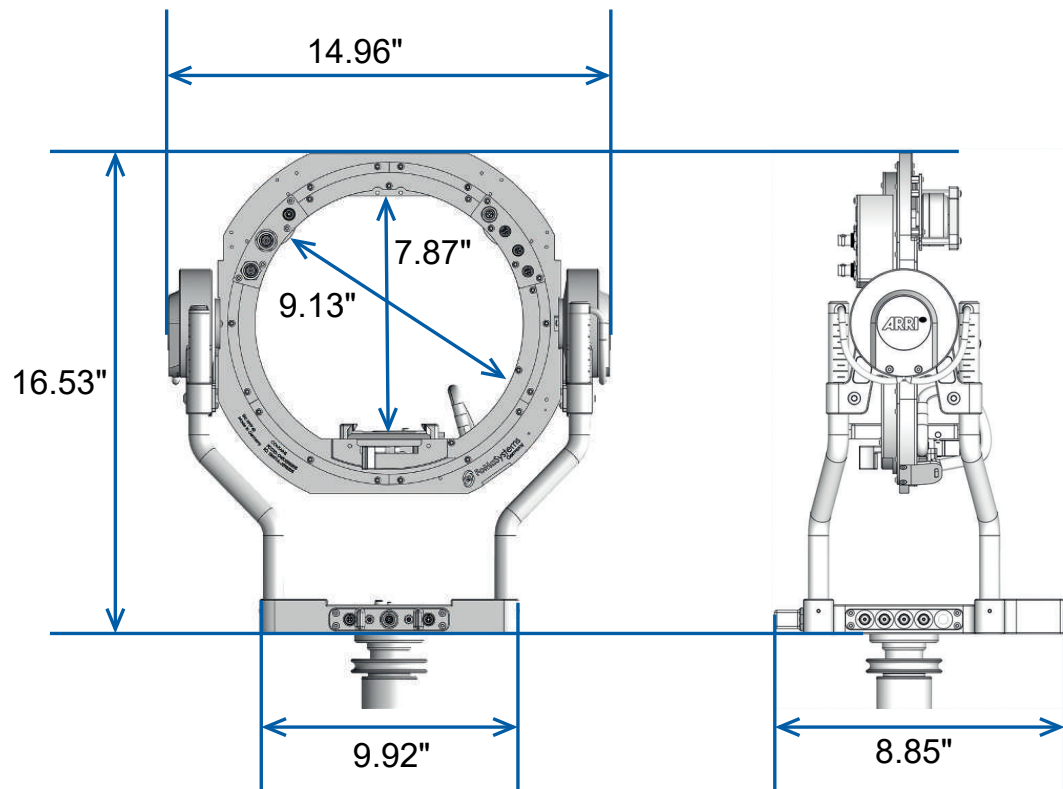
The TRINITY Live should only be used and stored under certain environmental conditions. Check the following conditions before commissioning and operation:

Permissible operating temperature	-20° C to +45° C / -4° F to +113° F
Permissible storage temperature	-30° C to +70° C / -22° F to +158° F
Permissible humidity	95% rh max. from -20° C to +45° C / -4° F to +113° F, non condensing

3.5 Technical Data

3.5.1 Dimensions





3.5.2 Specification

Electrical requirements (Input voltage)

10.6 V - 33.6 V DC

Power supply (head)

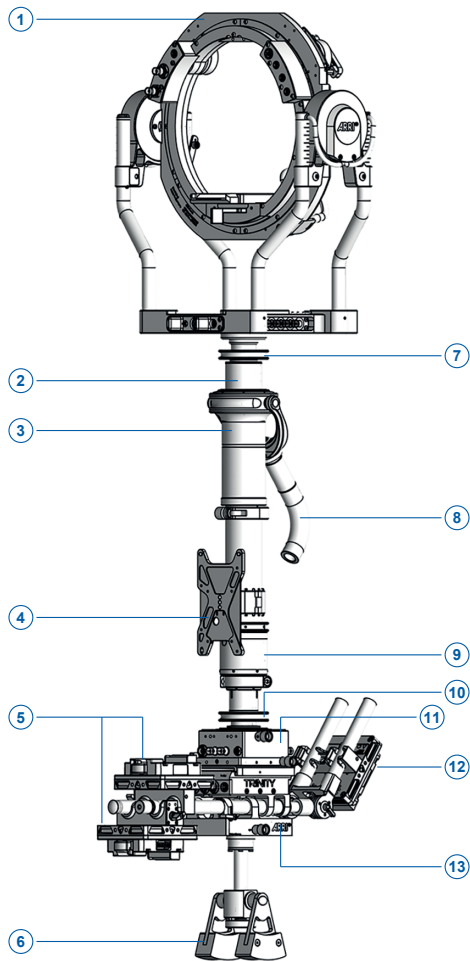
Lemo 1B 4pin connector

Weight

12.5 kg / 27.5 lb

3.6 Product Layout

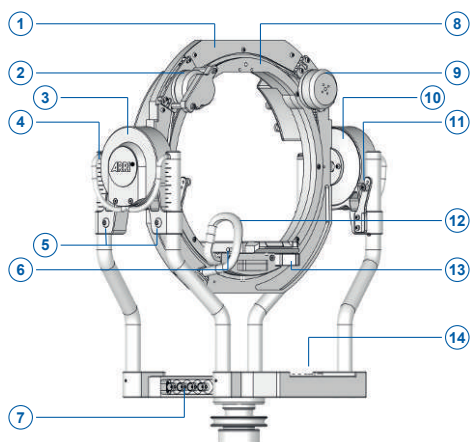
3.6.1 TRINITY Live Rig Overview



- 1 TRINITY Live Head
- 2 1.8" Carbon Post
- 3 1.8" Gimbal
- 4 Transmitter Bracket
- 5 BMS-1 Battery Mount
- 6 Pendulum
- 7 Docking Ring
- 8 Gimbal Handle
- 9 Post Fine Trim
- 10 Docking Ring
- 11 Top Stage
- 12 BMS-1 Battery Mount
- 13 Battery Hanger

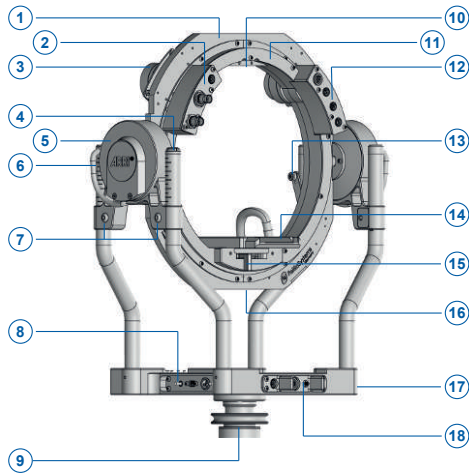
3.6.2 TRINITY Live Head Overview

Back / Left



- 1 Outer Ring
- 2 ROLL Motor
- 3 TILT Motor
- 4 Scale
- 5 Height Adjustment
- 6 Safety Release Button
- 7 Left Panel
- 8 Inner Ring
- 9 ROLL Motor
- 10 TILT Motor
- 11 End Stop
- 12 Ring Cable
- 13 Clamp SAM Dovetail Plates
- 14 User Interface Panel

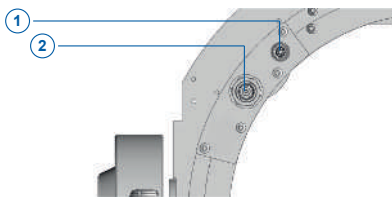
Front / Right



- 1 Outer Ring
- 2 Left Junction Box
- 3 ROLL Motor
- 4 Ethernet Connector
- 5 TILT Motor
- 6 Scale
- 7 Height Adjustment
- 8 Right Panel
- 9 Post Connection 16pin
- 10 SSB-1 Interface
- 11 Inner Ring
- 12 Right Junction Box
- 13 End Stop
- 14 SAM Dovetail Mount
- 15 Clamp Side-to-side Adjustment
- 16 SSB-5 Interface
- 17 Left Panel
- 18 Front Panel

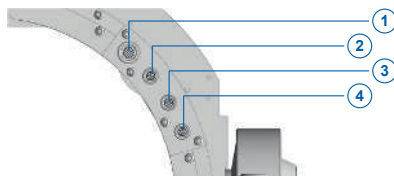
3.6.3 TRINITY Live Head Details

Left Junction Box



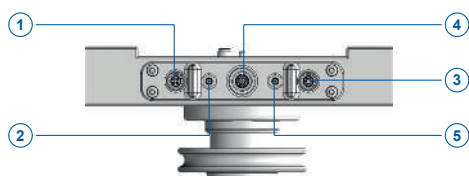
- 1 Not in use. For service only.
- 2 HD SDI In

Right Junction Box



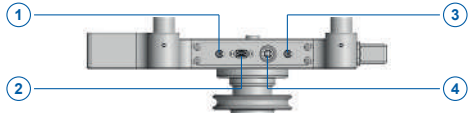
- 1 Camera Power 12 V, max. 10 A (24 V optional)
- 2 Focus Power
- 3 LBUS
- 4 Tally Aux Out, 12 V, max. 3 A

Front Panel Base



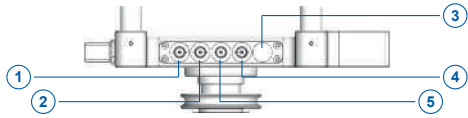
- 1 Digital joystick MGT-2
- 2 Monitor Out
- 3 Not in use. For service only.
- 4 Analog joystick
- 5 Loop Out

Right Panel Base



- 1 Stabilizer power on/off
- 2 USB in. For service only.
- 3 Main power on/off
- 4 External power in

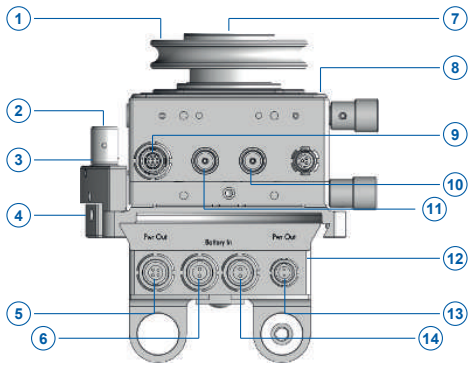
Left Panel Base



- 1 HD SDI In 1
- 2 HD SDI In 2
- 3 12 V / 24 V selector (optional)
- 4 HD SDI In 4
- 5 HD SDI In 3

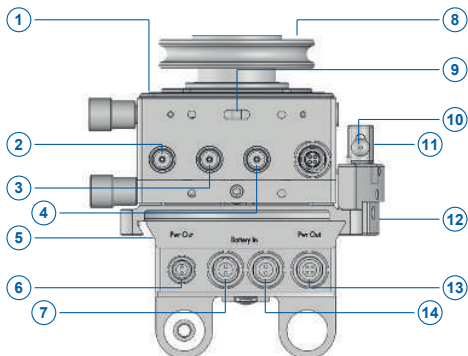
3.6.4 TRINITY Live Top Stage / Battery Hanger Overview

Front Side



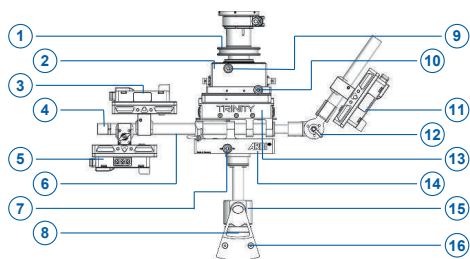
- 1 Docking ring
- 2 Safety latch
- 3 Clamp lever
- 4 Dovetail clamp
- 5 Monitor Out, 12 V, max. 3 A
- 6 Battery In
- 7 Post Connection 16pin
- 8 Top Stage
- 9 Ethernet
- 10 HD SDI 2
- 11 HD SDI 1
- 12 Battery Hanger
- 13 Power Out
- 14 Battery In

Back Side



- 1 Top Stage
- 2 Loop
- 3 HD SDI 3
- 4 HD SDI 4
- 5 Battery hanger
- 6 Power Out
- 7 Battery In
- 8 Docking ring
- 9 Bubble
- 10 Safety latch
- 11 Clamp lever
- 12 Dovetail clamp
- 13 Monitor Out 12 V, max. 3 A
- 14 Battery In

Left Side



- 1 Docking ring
- 2 Top Stage
- 3 BMS-1 Battery mount
- 4 Fore and aft adjustment
- 5 BMS-1 Battery mount
- 6 18 mm rods
- 7 Pendulum side-to-side adjustment
- 8 Pendulum friction
- 9 Side-to-side adjustment
- 10 Fore and aft adjustment
- 11 BMS-1 Battery mount
- 12 Hinge clamping lever
- 13 Battery hanger
- 14 Base pendulum
- 15 Pendulum
- 16 Pendulum weights

TRINITY Live Interfaces Head

Interface	Connector	Specification	Remarks
12 V / 24V Camera Power	Lemo 1B 4pin	12 V / 24 V, max. 3 A	24 V optional
12 V Focus Power	Lemo 0S 4pin	12 V, max. 3 A	
LBUS	Lemo 0B 4pin	12 V, max. 3 A	
Aux / Tally	Lemo 0S 3pin	12 V, max. 3 A	
Joystick In (analog)	Lemo 1B 7pin	12 V, max. 3 A	Analog
Joystick In (digital)	Lemo 0B 4pin	12 V, max. 3 A	LBUS
Monitor and Loop	Mini BNC		
4 x 3G Video	BNC		
USB	USB Mini		For programming only
External Power In	Lemo 1S 4pin	12 V, max. 10 A	

TRINITY Live Interfaces Top Stage

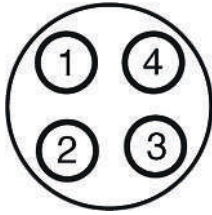
Interface	Connector	Specification	Remarks
12 V / 24V Camera Power	Lemo 1B 4pin	12 V / 24 V, max. 3 A	24 V optional
Ethernet	Lemo 1B 10pin		Data only
Aux / Tally	Lemo 0S 3pin	12 V, max. 3 A	

TRINITY Live Interfaces Battery Hanger

Interface	Connector	Specification	Remarks
12 V / 24V Camera Power	Lemo 1B 4pin	12 V / 24 V, max. 3 A	24 V optional
Battery In	Lemo 1B 2pin	12 V, max. 1 A	

3.6.5 TRINITY Live Pinouts

Camera Power Out

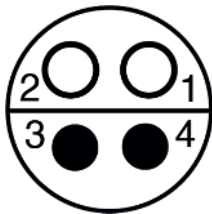


Lemo 1B 304

Pin 1	+12 V
Pin 2	Ground
Pin 3	Ground
Pin 4	+ 12 V

**Shown from mating side*

Focus Power Out

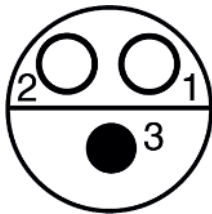


Lemo 0S 304

Pin 1	+12 V
Pin 2	NC
Pin 3	Ground
Pin 4	NC

**Shown from mating side*

Aux Power / Tally Out

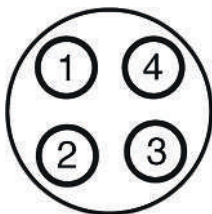


Lemo 0S 303

Pin 1	+12 V
Pin 2	Ground
Pin 3	Tally

**Shown from mating side*

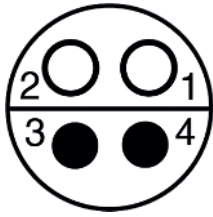
Power Out



Lemo 0B 304

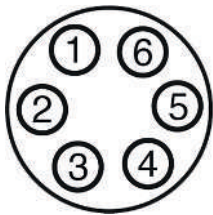
Pin 1	Ground
Pin 2	+12 V
Pin 3	NC
Pin 4	NC

**Shown from mating side*

External Power In**Lemo 1S 304**

Pin 1	+12 V
Pin 2	Ground
Pin 3	Ground
Pin 4	+12 V

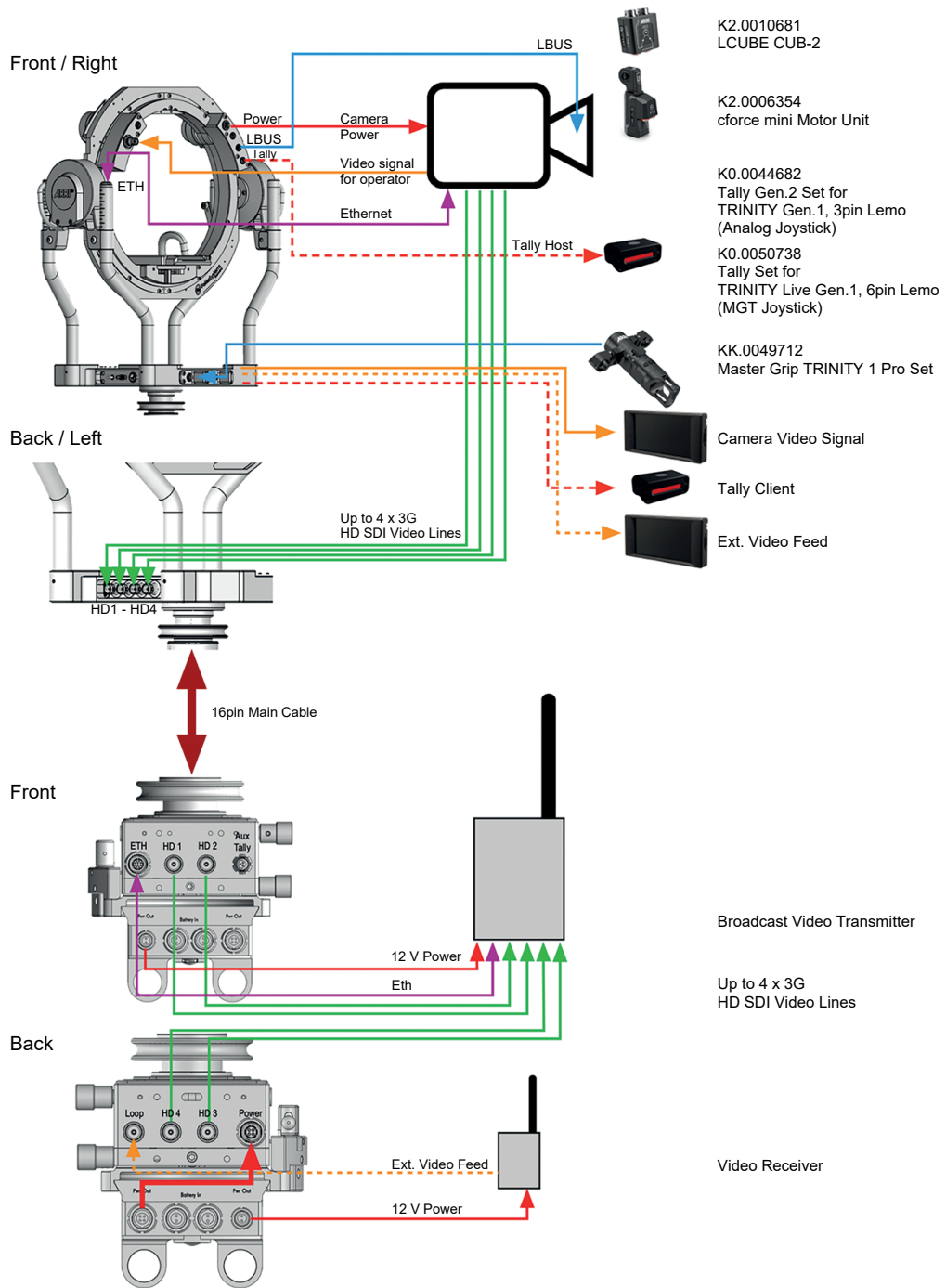
**Shown from mating side*

Ext / Control**Lemo 0B 306**

Pin 1	Can Low ARRI
Pin 2	Can High ARRI
Pin 3	Can Low
Pin 4	Can High
Pin 5	+12 V
Pin 6	Ground

**Shown from mating side*

3.6.6 TRINITY Wiring Diagram



3.7 Certifications and Safety Standards



Brand Name: ARRI
Product Description: Camera Stabilizer Systems
TRINITY Live

The designated products conform to the specifications of the following European directives:

- Directive 2014/30/EU EU of the European Parliament and of the Council of 26 February 2014 on the harmonisation of the laws of the Member States relating to electromagnetic compatibility.
- Directive 2011/65/EU of the European Parliament and the Council of June 8, 2011 on the restriction of the use of certain hazardous substances in electrical and electronic equipment.

Essential requirements regarding No 1

EN 55032:2015/A11:2020; EN 55103-2:2009

Essential requirements regarding No 2

- EN IEC 63000:2018

Year of affixed CE-marking: 2023

4 Mounting and Assembly

4.1 Wiring the System



CAUTION

Excessive Heat and Explosions

May damage persons, objects and property.

- ▶ Always use batteries with the same chemistry.
- ▶ Never use 24 V batteries.

4.1.1 Battery Mounts



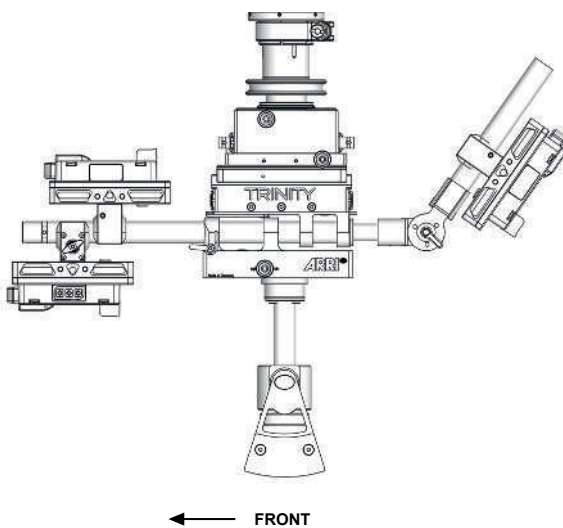
The TRINITY Live can be operated with the following battery mounts:

- K0.0044359** BMS-1 Upgrade Set, V-Mount, incl. 3 Mounts
- K0.0044359** BMS-1 Upgrade Set, Gold-Mount, incl. 3 Mounts

or

- K2.0010289** TRINITY Battery Mount / V-Mount
- K2.0010288** TRINITY Battery Mount / Gold Mount

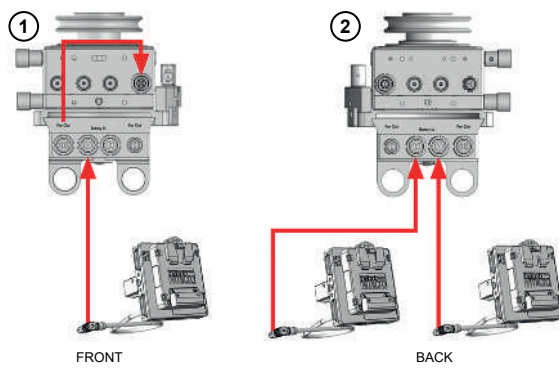
4.1.2 To Position the Batteries



Place two batteries at the front and one battery at the back.

Additional components, like Video Transmitter, shall also be placed at the back.

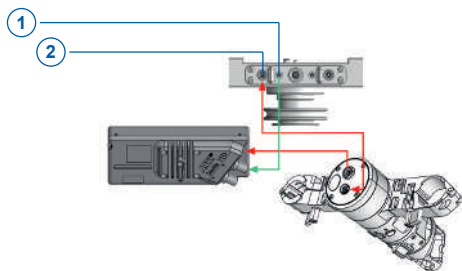
4.1.3 To Wire the Battery Hanger / Top Stage



1. Connect the Battery Hanger **Power Out** with the Top Stage **Power In** first.
2. Connect the batteries with the **Power In** sockets before placing the batteries mounts finally.

4.1.4 To Connect Joystick and Monitor

1. Connect the TRINITY 2 Joystick Cable 75cm/29.5in (K2.0043861) with the lower LBUS Socket at the Master Grip TRINITY and with the LBUS Socket at the TRINITY Live Front Panel.
2. Connect the MTG Monitor Pwr, Lemo 0B, 5pin (K2.0038999) for Transvideo / ARRI Starlite monitor, or 2pin Lemo socket, use the MTG Monitor Pwr, Lemo 0B, 2pin (K2.0038998) when using a standard Transvideo Starlite monitor, MTG Monitor Pwr, Lemo 0B, 2pin (K2.0038998) for SmallHD monitors with the upper LBUS Socket at the Master Grip.
3. Connect the video cable (K2.0014804) to the Monitor Out of the Front Panel to Video In of the monitor.



- 1 Monitor Out
- 2 Digital Joystick MGT-2

4.1.5 To Connect the Camera

Camera Power Cables

Use only the appropriate cables, like:

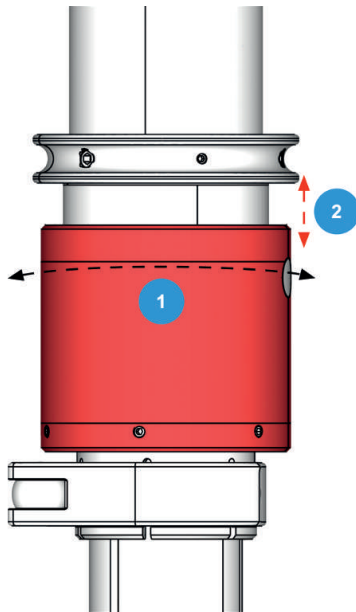
K2.0010470	Cam Power, Cine, 12V, XLR, HiCap	
K2.0010540	Cam Power, Cine, 12V, HiCap, ALEXA Mini	Only with 24V upgrade
K2.0010565	Cam Power, Cine, 12V, HiCap, AMIRA, 90°	Only with 24V upgrade

Video Cables

Use only the appropriate cables, like:

K2.0010476	HD SDI BNC Cable
K2.0041984	12G HD SDI BNC Cable, 0,63m/25in
K2.0044234	12G HD SDI BNC Cable, 0,84m/33in
K2.0051086	12G HD SDI BNC Cable, 1,3m/51in

Fine Trim Mechanism



The Fine Trim allows:

- To adjust the length of the inner post and extremely accurately set the resulting drop down time.
- To add more drop down if needed, or to reduce drop as much to get the rig very easily into a „dirty low mode“.
- An overall movement of 22mm / 0,86in.



NOTICE

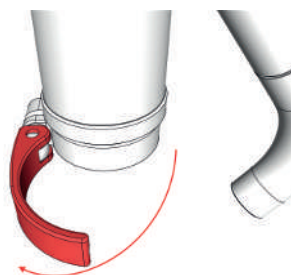
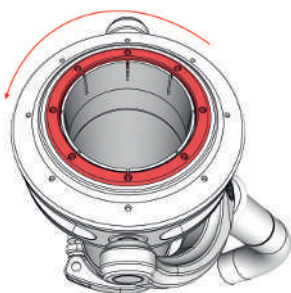
Adjust the Fine Trim halfway before balancing.

4.3 Gimbal Installation and Operation

4.3.1 Gimbal 1.8in to Center Post Installation

Preparation:

- Remove the top stage from the center post.
- Prepare Post Tool (K2.0040046) for Installation.



1. Use the **Post Tool** to open the centering ring by turning it to the left.
2. Open the gimbal clamp lever.
3. Put the gimbal on the post.

The Gimbal is ready for the positioning on the center post.

To Position the Gimbal

After the gimbal sits on the post, it can be positioned.

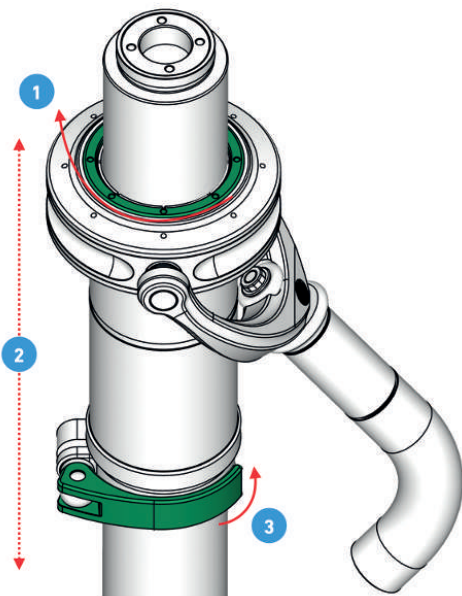


NOTICE

Overtighten the Center Ring

May cause damage.

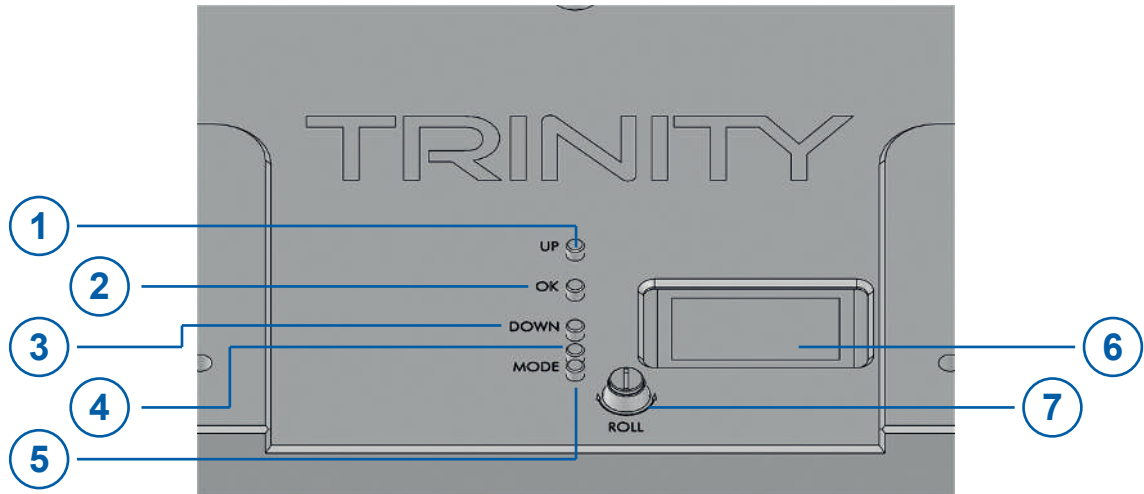
- ▶ Tighten the center carefully. It is not a clamp lever!



1. Tighten the center ring carefully.
 2. Move the gimbal to the desired position by rotating and sliding the gimbal.
 3. Lock the clamp lever.
- The Gimbal is positioned.

5 Onboard User Interface

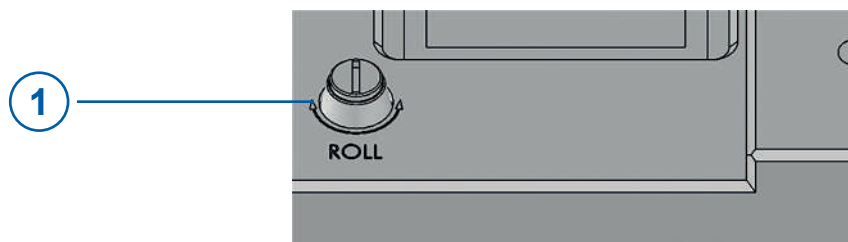
5.1 Overview



The following functions can be operated directly through the TRINITY Live Onboard User Interface:

- Adjusting Roll axis / horizon
- Mode / User preset selection (1-5)
- Joystick menu / assigning the joystick, direction, speed, ramp, window.
- Adding a wireless remote
- Restoring setting
- Restoring sensors
- Angle information
- Temperature information
- Voltage information

5.2 To Adjust the Roll Axis / Horizon



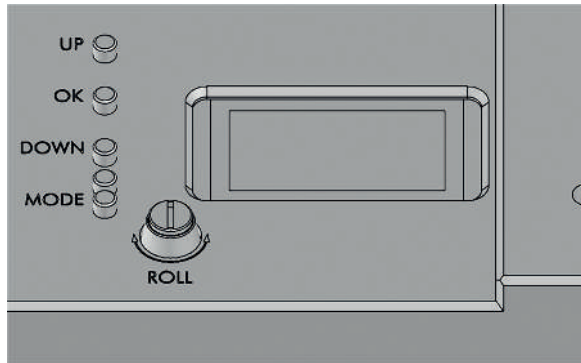
Before the balancing process, make sure that the rolling axis is set to zero degrees.

Use a spirit level and slowly turn the ROLL knob until the roll axis reaches the desired zero degree position.

5.3 To Assign the Master Grip TRINITY Joystick

5.4 To Change Direction, Speed, Ramp and Window of the MGT Joysticks

5.5 To Change User Presets



Press MODE once, to call up profile number ONE.
Press MODE twice, to call up profile number TWO.
And so on...

6 Cleaning, Maintenance and Repair

6.1 Cleaning Instructions



NOTICE

Improper Cleaning Procedure

Risk of damage of surfaces.

- ▶ Before cleaning, remove all accessories and disconnect all cables.
- ▶ Only use the cleaning agents specified in this section.
- ▶ Do not use any strong or aggressive cleaning detergents like Methanol, Acetone, Benzine or acids. These chemicals may dissolve imprinted labels or the paint on the housing and damage highly polished surfaces.
- ▶ During cleaning of the device, always make sure that protective covers are in place.
- ▶ Do not moisten connectors when cleaning the device.
- ▶ Avoid touching any connector pins when cleaning the device.
- ▶ Avoid wiping dry connector pins with a dry cloth, especially if the surface is not clean.
- ▶ Avoid wiping connector pins without air blow dusting first. If particles or connector pins are electrostatically charged, it may improve dusting efficiency to use deionized air.
- ▶ Compressed air should not be used on the housing.

Recommended Cleaning Agents

- Water
- Glass Cleaner
- Isopropyl Alcohol

Area	Cleaning Procedure
Housing	Clean the housing, mechanical and electronic accessories with a soft, lint free cleaning cloth and some water or glass cleaner. Only when really necessary, e.g. to remove residues of camera tape, isopropyl alcohol should be used.
Narrow spaces and gaps	Use a manual air blower, cotton swabs or a soft brush to remove dust particles from narrow spaces, gaps or connectors.

6.2 Maintenance and Repair



WARNING

Repairs carried out by Untrained Personnel

Risk of injury and damage.

- ▶ Do only carry out maintenance work that is describes in this operating manual.
- ▶ Do not try to repair the device yourself. Repairs may only be carried out by authorized ARRI service partners.

For repairs and maintenance work on the device, please contact the [ARRI Service](#).

7 Transportation, Storage and Disposal

7.1 Transportation and Storage



NOTICE

Improper Packing and Transportation of the Device

Risk of damage to the device.

- ▶ Follow the specified environmental conditions.
- ▶ Only transport the device and accessories in suitable cases.
- ▶ Follow the instructions for transport and storage in this section.

The device can be damaged if not transported and stored properly. Please take note of the following guidelines.

Transportation Guidelines

- Disconnect all cables and power sources from the device.
- Always transport the device in a suitable case.
- Do not expose the device to severe shocks.

Storage Guidelines

Disconnect all cables and power sources from the device.

Always store the device in a suitable case.

Do not store the device outside of the specified ambient temperature range.

Do not store the device in places where it may be subject to extreme temperatures, direct sunlight, high humidity, severe vibration, dust or strong magnetic fields.

7.2 Disposal

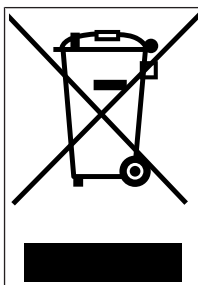
Disposal



NOTICE

You can return the product to the manufacturer Arnold & Richter Cine Technik GmbH & Co. Betriebs KG for disposal.

When you dispose third party accessories, please observe the instructions of the relevant manufacturer.



This product falls within the scope of Directive 2012/19 / EU OF THE EUROPEAN PARLIAMENT AND OF THE COUNCIL of June 4, 2012 on waste electrical and electronic equipment (WEEE II).

Accordingly, this product must not be disposed of with household waste. There are the respective country-specific disposal rules that must be observed.

8 ARRI Service Contacts

Please see the current list of service partners at [service contacts](#).



Arnold & Richter Cine Technik GmbH & Co.
Betriebs KG
Herbert-Bayer-Str. 10
80807 Munich
Germany
+49 89 3809 2121
Business hours:
Mo. - Fr. 09:00 - 17:00 (CET)
service@arri.de

ARRI CT Limited / London
2 Highbridge, Oxford Road
UB8 1LX Uxbridge
United Kingdom
+44 1895 457 000
Business hours:
Mo. - Thu. 09:00 am - 5:30 pm (GMT)
Fr. 09:00 am - 5:00 pm (GMT)
service@arri-ct.com

ARRI Inc. / West Coast
3700 Vanowen Street
CA 91505 Burbank
USA
+1 818 841 7070
Business hours:
Mo. - Fr. 09:00 am - 05:00 pm (PT)
service@arri.com

ARRI Inc. / East Coast
617 Route 303
NY 10913 Blauvelt
USA
+1 845 353 1400
Business hours:
Mo. - Fr. 08:00 am - 05:30 pm (EST)
service@arri.com

ARRI Canada Limited
1200 Aerowood Drive, Unit 29
ON L4W 2S7 Mississauga
Canada
+1 416 255 3335
Business hours:
Mo. - Fr. 08:30 am - 05:00 pm (EDT)
service@arri.com

ARRI Australia Pty Ltd
Suite 2, 12B Julius Ave
NSW 2113 North Ryde
Australia
+61 2 9855 4305
Business hours:
Mo. - Fr. 08:00 am - 05:00 pm (AEST)
service@arri.com.au

ARRI Asia Pte. Ltd.
164 Kallang Way, #03-01
349248 Singapore
Singapore
+65 6230 9488
Business hours:
Mo. - Fr. 9:00 - 18:00 (CST)
service@arri.asia

ARRI Japan Kabushiki Kaisha
Service
Haneda Innovation City Zone K210, 1-1-4
Hanedakuko, Ota-Ku
144-0011 Tokyo
Japan
+81 3 6635 3750
Business hours:
Mo. - Fr. 10:00 - 18:00 (JST)
info@arri.jp

ARRI China (Beijing) Co. Ltd.
Chaowai SOHO Tower C, 6/F, 0628/0656
Chaowai Dajie Yi 6
Beijing
China
+86 10 5900 9680
Business hours:
Mo. - Fr. 09:00 am - 06:00 pm (CST)
service@arri.cn

ARRI ASIA Limited
41/F One Kowloon, 1 Wang
Yuen Street Kowloon Bay
Hong Kong
P. R. China
+852 2537 4266
Business hours:
Mo. - Fr. 09:00 am - 06:00 pm (HKT)
service@arri.asia

ARRI Korea Limited
Kolon Digital Tower 1(#1505-06), 25
Seongsuil-ro 4 gil, Seongdong-gu
04781 Seoul
Korea
+82 (0)70 4419 6401
Business hours:
Mo. - Fr. 9:00 - 18:00 (KST)
service@arri.kr

ARRI Brasil Ltda
Avenida Ibirapuera 2907 – Cj. 421, Indianópolis
04029-200 São Paulo
Brazil
+55 1150419450
Business hours:
Mo. - Fr. 09:00 am - 05:30 pm (BRT)
arribrasil@arri.com

LINKA İthalat İhracat ve Dış Tic.
Distribütör
Halide Edip Adivar Mah. Darülaceze Cad.
No:3 Akın Plaza Kat:5 95-96
34381 Şişli, İstanbul
Turkey
+90 2123584520
Business hours:
Mo. - Fr. 09:00 - 18:00 (EET)
service@linkgroup.com.tr

CINEOM Broadcast India Pvt. Ltd.
C-4, Goldline Business Centre
Link Rd. Malad West
400 064 Mumbai
India
+91 (0)22 42 10 9000
Business hours:
Mo. - Sa. 10:00 am - 06:00 pm (IST)
arrisupportindia@cincom.com

CINEOM Broadcast DMCC.
Unit No. 2109, Jumeirah Bay Tower X2 Cluster X
Jumeirah Lakes Towers
P.O Box 414659
Dubai, UAE
+971 (0) 45570477
Business hours:
Sa. - Th. 10:00 am- 06:00 pm
arriservice.me@cincom.com

TRINITY **LIVE**