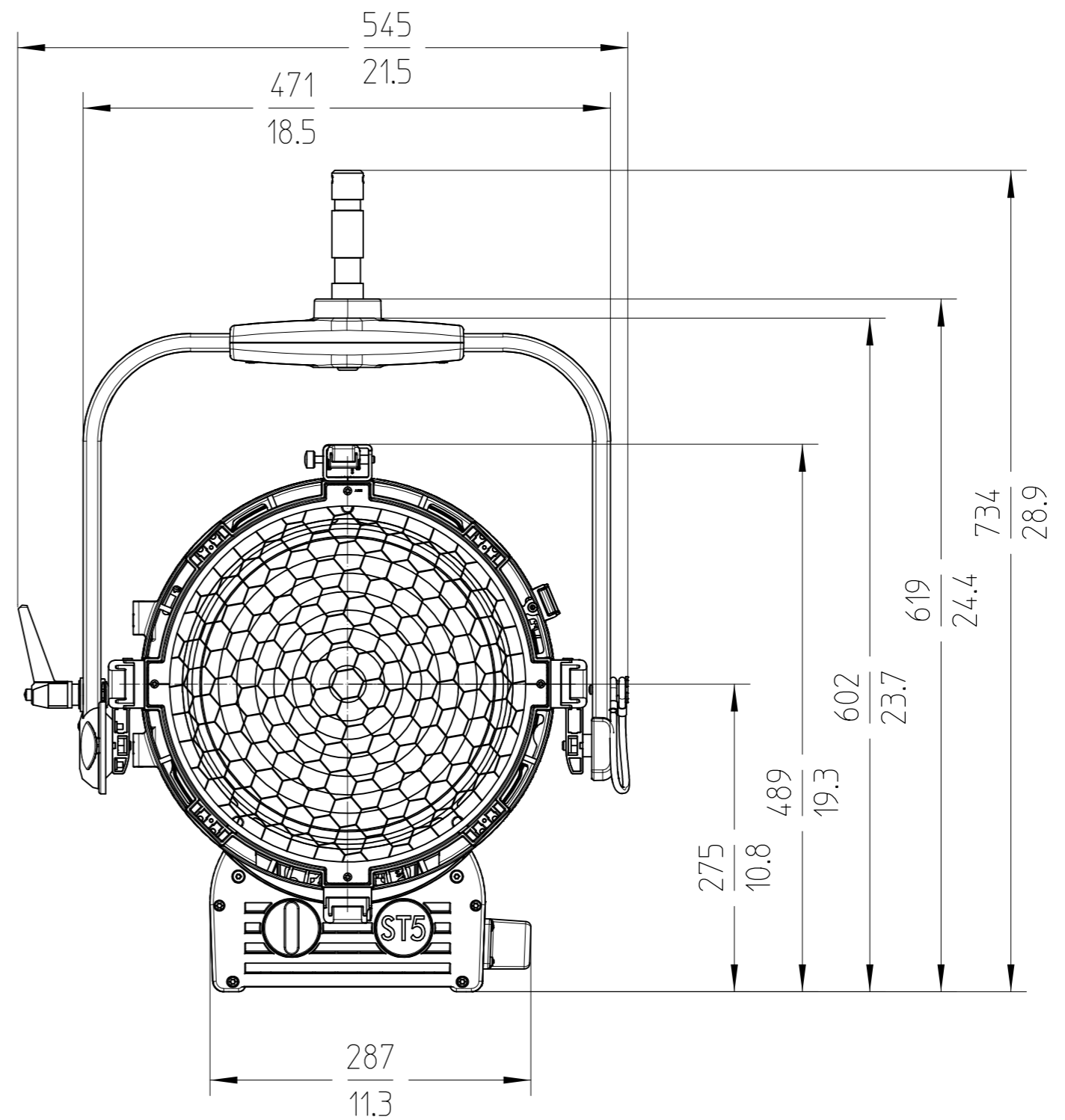
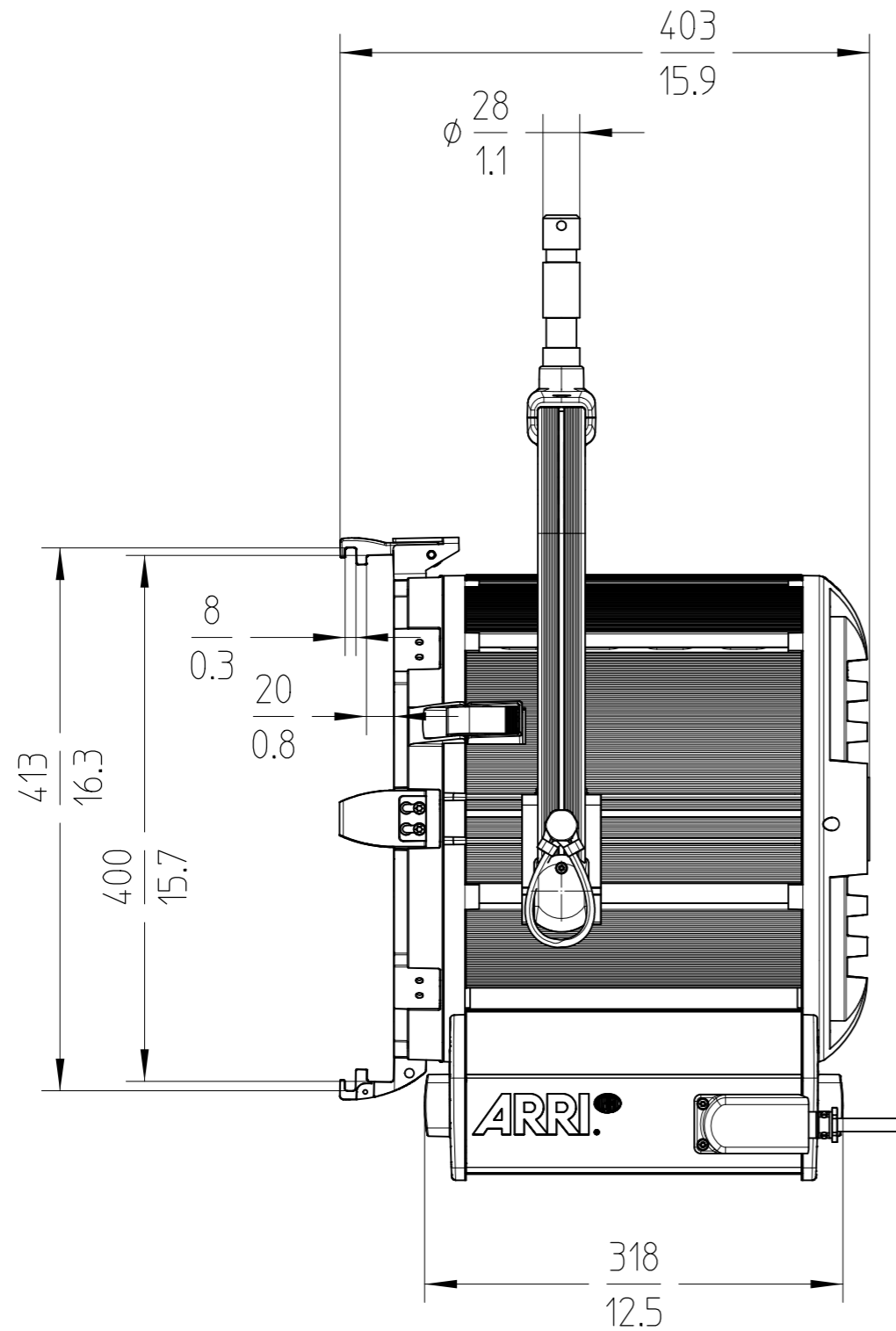


Schutzvermerk nach DIN34 beachten



Scheinwerfertyp type of lamphead	True Blue ST5		Packmass packed size	575 x 605 x 605 mm (H x B x L) 22.64 x 23.82 x 23.82" (H x W x L)		Bezeichnung description		Gewicht weight		Packgewicht packed weight	
Leuchtmittel / Lampensockel lamp / lamp base	230 V: (CP/85) 230 V: (CP/29)	5000 W / G38	Packvolumen packed volume	208,8 l 7.4 ft³		Ident Nr.	Version	kg	lbs.	kg	lbs.
Linsen lenses	Ø 300 mm Ø 11.8"		Anmerkung / notes Gewicht inklusive Bügel und Zapfen Weight includes yoke and spigot		L1.41000.A	bare ends	15	33.1	20	44.1	
Zubehördurchmesser accessories diameter	Ø 400 mm Ø 413 mm Ø 15.8" Ø 16.3"		Version / Stand version / as at...		L1.41000.B	bare ends, Hanging	15	33.1	20	44.1	
			2.0 / 15.10.2018		L1.41000LB	bare ends, Location	15	33.1	20	44.1	
					L1.41005.A	bare ends, black, 120V	15	33.1	20	44.1	
					L1.41005.B	bare ends, black, 230V	15	33.1	20	44.1	
					L1.41005.F	bare ends, Hanging, black	15	33.1	20	44.1	



Arnold & Richter Cine Technik
Pulvermuehle
D-83071 Stephanskirchen