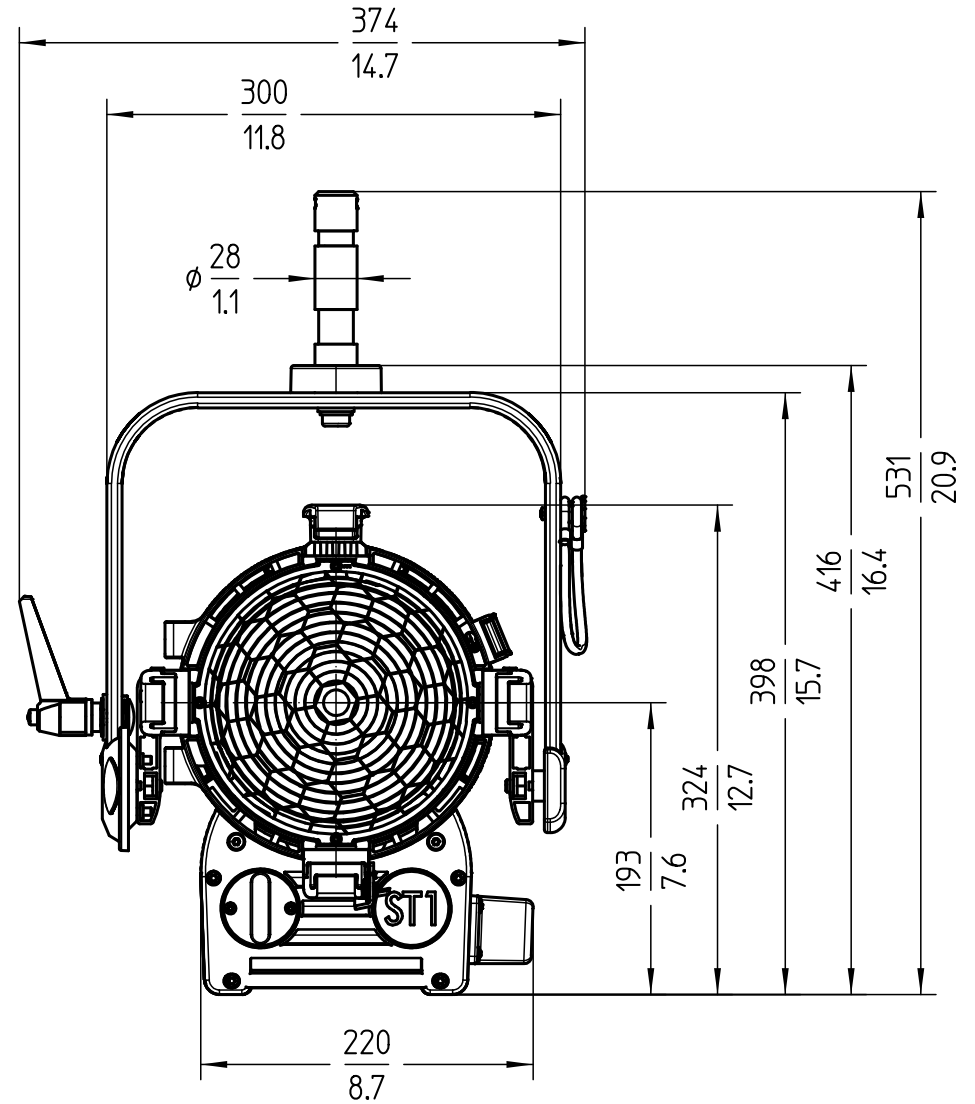
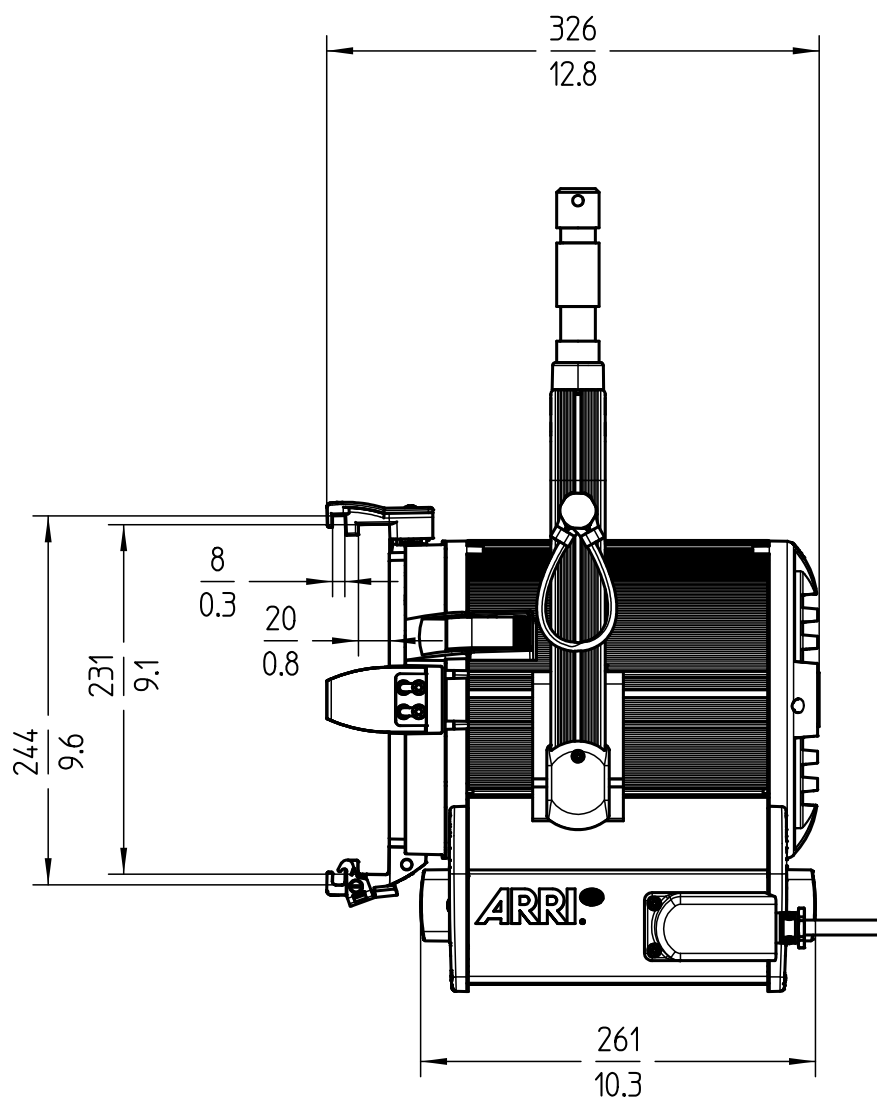


Schutzvermerk nach DIN34 beachten



|   |  |                    |  |  |                            |                   |                   |      |                              |      |
|---|--|--------------------|--|--|----------------------------|-------------------|-------------------|------|------------------------------|------|
| Scheinwerfertyp<br>type of lamphead         | True Blue ST1                            |                    | Packmass<br>packed size  | 395 x 405 x 475 mm (H x B x L)<br>15.55 x 15.94 x 18.70" (H x W x L) | Bezeichnung<br>description |                   | Gewicht<br>weight |      | Packgewicht<br>packed weight |      |
| Leuchtmittel/Lampensockel<br>lamp/lamp base | 230 V: FKJ (CP/40)<br>230 V: FKJ (CP/71) | 1000 W / G22       | Packvolumen<br>packed volume   | 73,6 l<br>2.59 ft <sup>3</sup>                                       | Ident Nr.                  | Version           | kg                | lbs. | kg                           | lbs. |
| Linsen<br>lenses                            | Ø 175 mm<br>Ø 6.9"                       |                    | Anmerkung / notes<br>Gewicht inklusive Bügel und Zapfen<br>Weight includes yoke and spigot |  | L1.40500.A                 | Edison            | 7                 | 15.4 | 9,3                          | 20.5 |
| Zubehördurchmesser<br>accessories diameter  | Ø 230 mm<br>Ø 9.1"                       | Ø 245 mm<br>Ø 9.7" | Version / Stand<br>version / as at...  | 3.0 / 02.07.2018   | L1.40500.B                 | bare ends         | 6,5               | 14.3 | 8,8                          | 19.4 |
|   |  |                    |  |  | L1.40500.D                 | Schuko            | 6,5               | 14.3 | 8,8                          | 19.4 |
|   |  |                    |  |  | L1.40505.A                 | Edison, black     | 7                 | 15.4 | 9,3                          | 20.5 |
|   |  |                    |  |  | L1.40505.B                 | bare ends, black  | 6,5               | 14.3 | 8,8                          | 19.4 |
|   |  |                    |  |  | L1.40505.D                 | Schuko, black     | 6,5               | 14.3 | 8,8                          | 19.4 |
|   |  |                    |  |  | L1.40501.B                 | bare ends, silver | 6,5               | 14.3 | 8,8                          | 19.4 |

**ARRI** 

Arnold & Richter Cine Technik  
Pulvermuehle  
D-83071 Stephanskirchen