



Orbiter

The ARRI Orbiter is a versatile, tuneable, and directional LED fixture. Orbiter’s six-color light engine ARRI Spectra delivers a wide color gamut and outstanding color rendition across all color temperatures, along with industry-leading, smooth dimming from 100% to 0%. With its changeable optics, Orbiter can transform into many different types of lamphead, including Beam, Open Face, Fresnel, Projection, soft light, and many more. Orbiter’s state-of-the-art technology and Lighting Operating software (LiOS) as well as its multi-functional design optimize it for today’s needs as well as for emerging requirements, with endless possibilities for updates, enhancements, and new configurations. Orbiter is the most technologically advanced luminaire for image capture, maintaining superior color fidelity. Its digital lighting system will revolutionize your lighting setup. Features such as a fast processor, ample memory, expanded connectivity, built-in array of sensors, weatherproof housing, and many more make Orbiter a formidable machine.

Changeable optics is the core innovation in Orbiter. With a wide variety of optics to choose from, Orbiter transforms into the perfect light for your application without sacrificing beam, output, or color quality. The Quick Lighting Mount (QLM) in Orbiter allows for optics with vastly different properties to be connected to the fixture. With Orbiter—you always have a choice.

Orbiter is an extremely bright directional LED fixture with an output similar to corresponding HMI systems. Orbiter’s powerful yet tuneable ARRI Spectra light engine provides outstanding color quality and brightness, rendering hard shadows with defined edges. Overall, Orbiter creates great highlights, natural skin tones, and crisp shadows. This revolutionary light engine is 76 times smaller than the L10’s light engine but produces greater output while drawing the same amount of power. Orbiter’s light engine consists of over 200 advanced LEDs, arranged in a point source-like aperture, which produce stunning light output while maintaining color quality and full-color tunability. The compact light engine uses a six-color LED mixture to create a homogeneous color beam field with brightness levels that easily rival much larger lighting fixtures.

Main Features

- Variety of optics and accessories
- ARRI Spectra six-color, wide gamut light engine
- Powerful output for maximal brightness and perfect colors
- Lighting Operating System (LiOS) with powerful software features
- User programmable quick buttons
- Integrated color sensor for matching ambient light
- Removable, intuitive Control Panel
- Full suite of connectors and sensors
- Perfected smooth dimming to zero
- Internal power supply, wireless DMX, & battery input

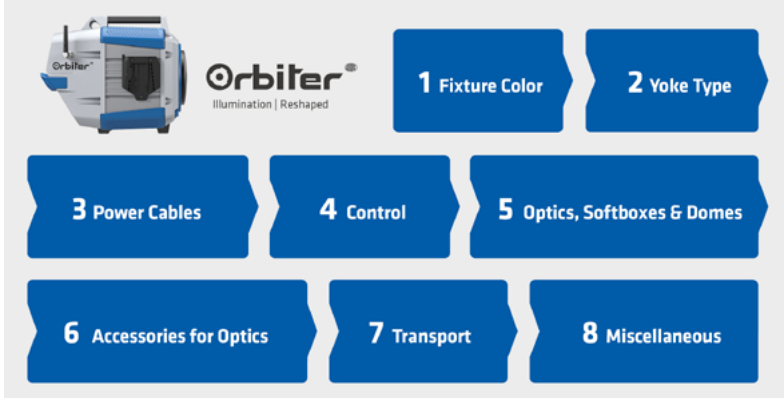
Accessories

- Beam
- Projection Optics
- Fresnel Lens
- Open Face Optics
- Domes
- Snoots
- Softboxes
- Rain Cover
- Barndoors
- and others

Apps

- ARRI Stellar
- ARRI Photometrics App

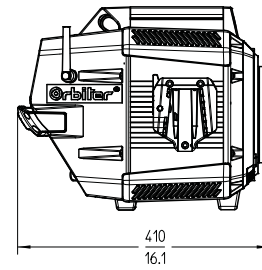
Configuration



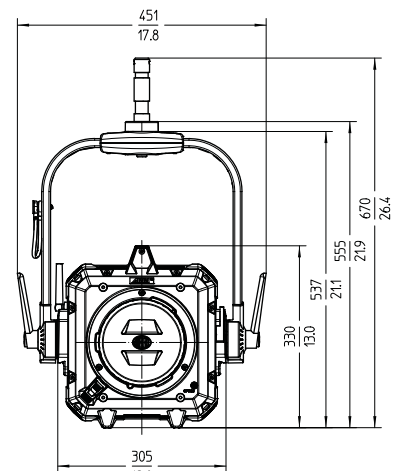
Specifications

Optical System	Changeable optics
Light Aperture	42 mm / 1,66", without optics
Beam Angle	80° half peak angle, without optics
Weight	Fixture only: 11,7 kg / 25.8 lbs With Manual Yoke: 14,2 kg / 31.3 lbs With Pole Operated Yoke: 14,9 kg / 32.9 lbs
Handling	Aluminum yoke with quick release, high strength tilt lock, pole operation option (pan and tilt)
Mounting	28 mm spigot (junior pin)
Tilt Angle	+/- 90° in dry location +75° / -90° in wet location with rain cover
Power Consumption	400 W nominal, 500 W maximum
Voltage Input Range	100 - 240 V~, 50 - 60 Hz
Mains Power Connection	powerCON TRUE1 TOP (Bare Ends / Schuko / Edison, Japanese, Chinese cables available)
DC Voltage Range	48 - 52 V _{DC}
Battery Connector	3-Pin XLR connector (Pin 1: negative, Pin 2: positive)
White Light	calibrated 2,000 K to 20,000 K continuously variable correlated color temperature
Color Modes	CCT, HSI, RGBACL, x/y coordinates, gel selection, source matching & color sensor plus: extended color control (ECC) for individual finetuning
Color Temperature Tolerance	3.200 to 5.600 K: +/- 100 K (nominal), +/- 1/8 Green-Magenta (nominal)
High Color Rendition Mode	3.200 to 5.600 K: CRI average > 98 TLCI average > 95 TM-30 average > 94
Green-Magenta Adjustment	Continuously adjustable between full minus-green to full plusgreen
Dimming	Smooth, 100 to 0 %, continuously, linear / exponential / logarithmic / "S" curve
Connectivity	Removable Control Panel via PoE, 5-Pin XLR in and through, EtherCON in and through, 2 x USB-A, USB-C, SD Card, sync input
Control Options	DMX 512 (8 & 16 bit), RDM E1.20, wireless control via LumenRadio CRMX ¹ (DMX & RDM), Art-Net, sACN, removable Control Panel, integrated webportal
Housing Color	Blue/silver, black
Ambient Temperature Operation	-20 to +45° C (-4 to +113° F)
Protection Class	I
IP Rating	IP 20 without Rain Cover IP 24 with Rain Cover L2.0037805
Estimated LED Lifetime (L70)	50,000 hours
Estimated Color Shift Over Lifetime (CCT)	+/- 5 %
Certifications & Declarations of conformity	CB, CE, UKCA, ENEC, cNRTLus, ICES, FCC, PSE, MIC, KC, SRRC, RCM, IFT, TRA, ETA, ANATEL, ENACOM, NTC

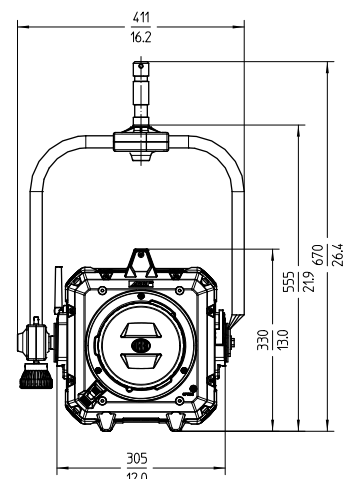
All specifications are typical values. Subject to change without notice.



Fixture only



with Manual Yoke



with Pole Operated Yoke

Photometrics

Download the ARRI Photometrics App or check ARRI.com/Orbiter for more detailed photometric performance data of the Orbiter & all its accessories.

	1 m / 3.3 ft		3 m / 9.8 ft		5 m / 16.4 ft		
	HiCRI	HiOut	HiCRI	HiOut	HiCRI	HiOut	
	15.900 lx	16.100 lx	1.780 lx	1.800 lx	640 lx	645 lx	60°
	41.600 lx	44.700 lx	4.620 lx	4.970 lx	1.665 lx	1.790 lx	30°
	130.000 lx	138.000 lx	14.445 lx	15.330 lx	5.200 lx	5.520 lx	15°
	12.082 fc	12.825 fc	1.342 fc	1.425 fc	483 fc	513 fc	
Orbiter with Open Face Optics ²	3.866 fc	4.154 fc	430 fc	462 fc	155 fc	166 fc	30°
	1.485 fc	1.490 fc	164 fc	167 fc	59 fc	60 fc	60°

	1 m / 3.3 ft		3 m / 9.8 ft		5 m / 16.4 ft		
	HiCRI	HiOut	HiCRI	HiOut	HiCRI	HiOut	
	20.000 lx	21.000 lx	2.220 lx	2.333 lx	800 lx	840 lx	60°
	54.900 lx	58.000 lx	6.100 lx	6.445 lx	2.195 lx	2.320 lx	30°
	162.000 lx	178.000 lx	18.000 lx	19.780 lx	6.480 lx	7.120 lx	15°
	15.056 fc	16.543 fc	1.673 fc	1.838 fc	602 fc	662 fc	
Orbiter with Open Face Optics ²	5.102 fc	5.390 fc	567 fc	599 fc	204 fc	216 fc	30°
	1.859 fc	1.952 fc	206 fc	217 fc	74 fc	78 fc	60°

¹ Brand: LumenRadio AB, Equipment: CRMX TiMo, Model: 200-1502, Product: Orbiter 2.4G Wireless Control Module, Frequency Range: 2402 - 2480 MHz, Frequency of Operation: 2402 - 2480 MHz, Power Output: 17.51 dBm, Number of Channels: 79, Channel Spacing: 1 MHz, Modulation Type: GFSK
² Only 30° Open Face optic depicted.