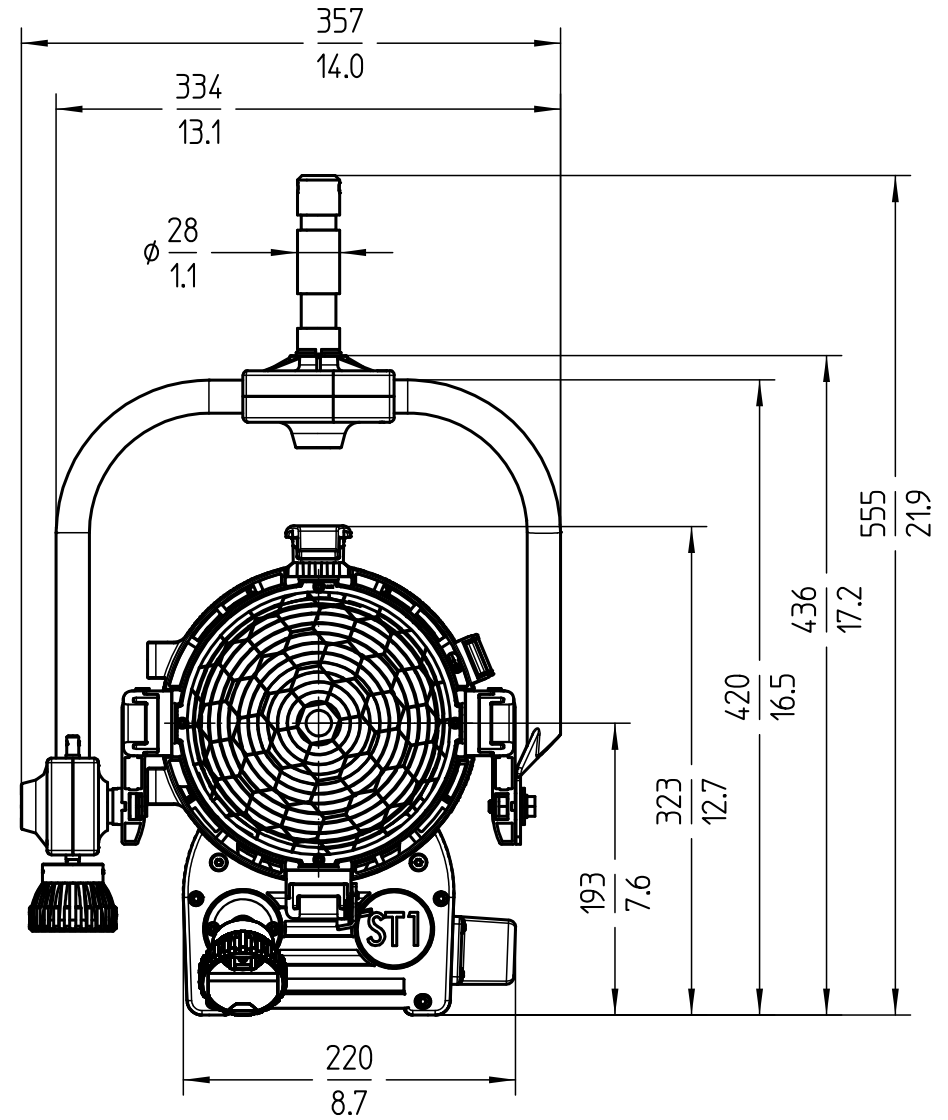
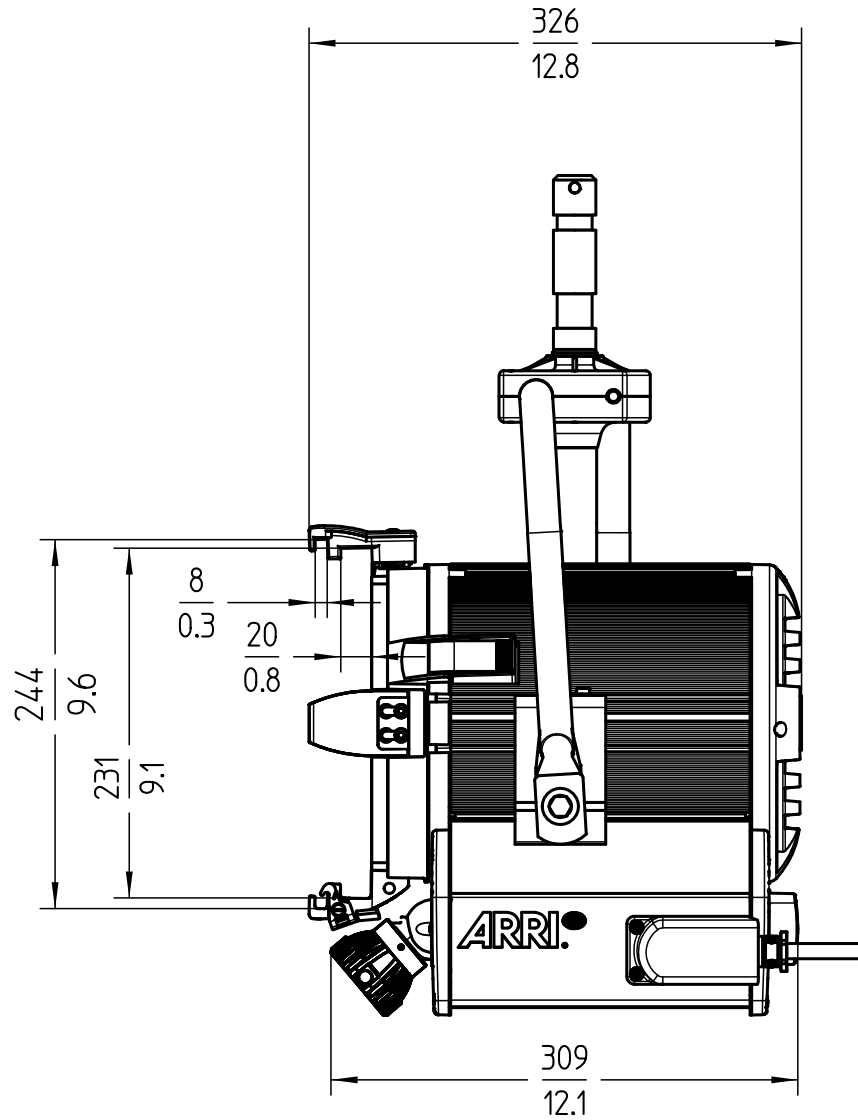



Schutzvermerk nach DIN34 beachten



|   |   |  |                                       |   |  |                            |                    |                   |      |                              |      |   |
|---|---|--|---------------------------------------|---|--|----------------------------|--------------------|-------------------|------|------------------------------|------|---|
| Scheinwerfertyp<br>type of lamphed              | True Blue ST1 Pole Operated (P.O.)                    |  | Packmass<br>packed size               | 395 x 405 x 475 mm (H x B x L)<br>15.55 x 15.94 x 18.70" (H x W x L)  |  | Bezeichnung<br>description |                    | Gewicht<br>weight |      | Packgewicht<br>packed weight |      |  <p>Arnold &amp; Richter Cine Technik<br/>Pulvermuehle<br/>D-83071 Stephanskirchen</p> |
| Leuchtmittel / Lampensockel<br>lamp / lamp base | 230 V: FKJ (CP/40) 1000 W / G22<br>230 V: FKJ (CP/71) |  | Packvolumen<br>packed volume          | 73,6 l<br>2.59 ft³  |  | Ident Nr.                  | Version            | kg                | lbs. | kg                           | lbs. |   |
| Linsen<br>lenses                                | Ø 175 mm<br>Ø 6.9"                                    |  | Anmerkung / notes                     | Gewicht inklusive Bügel und Zapfen<br>Weight includes yoke and spigot |  | L1.40500.I                 | bare ends          | 8                 | 17.6 | 10,2                         | 22.5 |   |
| Zubehördurchmesser<br>accessories diameter      | Ø 230 mm Ø 245 mm<br>Ø 9.1" Ø 9.7"                    |  | Version / Stand<br>version / as at... | 2.0 / 02.07.2018  |  | L1.40500.J                 | Edison             | 8                 | 17.6 | 10,2                         | 22.5 |   |
|   |   |  |                                       |   |  | L1.40500.K                 | Schuko             | 8                 | 17.6 | 10,2                         | 22.5 |   |
|   |   |  |                                       |   |  | L1.40505.I                 | bare ends, black   | 8                 | 17.6 | 10,2                         | 22.5 |   |
|   |   |  |                                       |   |  | L1.40505.K                 | Schuko, black      | 8                 | 17.6 | 10,2                         | 22.5 |   |
|   |   |  |                                       |   |  | L1.40505.L                 | Schuko, 1/2, black | 8                 | 17.6 | 10,2                         | 22.5 |   |