



LT-rain cover

Rain protection for ARRI SkyPanel S30, S60

User manual

Fabrication and Marketing
Licht-Technik Vertriebs GmbH
Uwe Hagenbach & Bernhard Grill
Osterwaldstr. 9-10 80805 München
Tel. 089-360528-0 Fax 089-360528-30
E-Mail: info@Licht-Technik.com
06/10/21 Rev.: 1.05 {Prerelease}

Table of content

Intended use.....	2
General notes.....	3
Safety and operating instructions.....	4
Setup.....	5
Technical data.....	9
Warranty.....	11
Further information.....	11
EC Declaration of Conformity.....	12

Intended use

The LT-rain cover is a rain protection for the ARRI SkyPanel S30 and S60.

It consists of a front- and back cover.

Assembling and mounting is quick, easy and self explaining.

For best protection the SkyPanel should be operated within a tilt angle of +75° and -90°.

Spray- and jetwater must be avoided by all means to avoid damages to the SkyPanel.

The heavy duty aluminium housing is powder coated in dull black.

General notes

The LT-rain cover is designed for professional use. They may only be operated by authorized persons.

Read this manual carefully before first start up. The following text contains important information for safe handling and operation.

In your own interest, observe the safety and warning notes given in these instructions.

Observe all general and local safety regulations.

Observe the user manual of light manufacturer.

Keep and store this manual for possible future owners.

Dispose packing material at a suitable waste disposal.

Defective devices must be properly disposed.

Only use original spare parts and original accessories.

Safety and operating instructions

Operate only with the ARRI SkyPanel S60 or S30.

Do not look into the active light!

Lamps can get hot during operation. Avoid touching!

The rain cover must only be operated with lights of the manufacturer ARRI, type SkyPanel S30 or S60.

Make sure that all parts are firmly connected.

Make sure that the locking system is closed.

Use a safety cable at the safety points to avoid from falling.



If safe operation is no longer possible, the device must be switched off immediately and be secured against unintended operation.

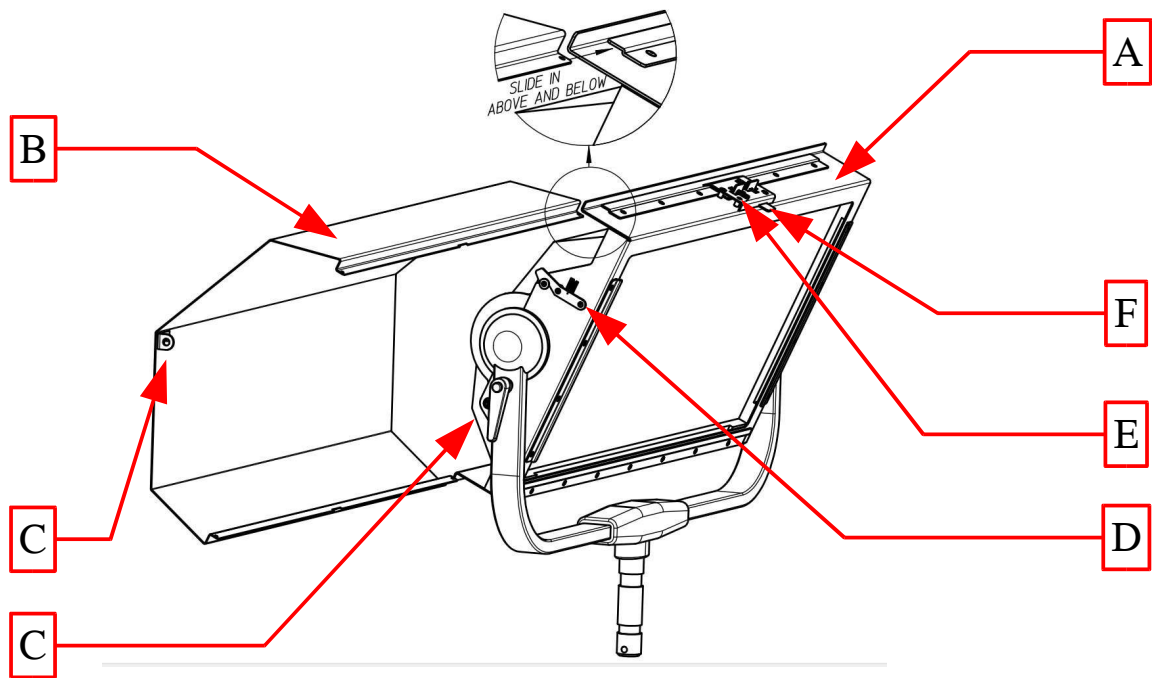
This is the case when:

- the device shows visible damages
- the device is inoperative
- parts of the device are loose or loosened

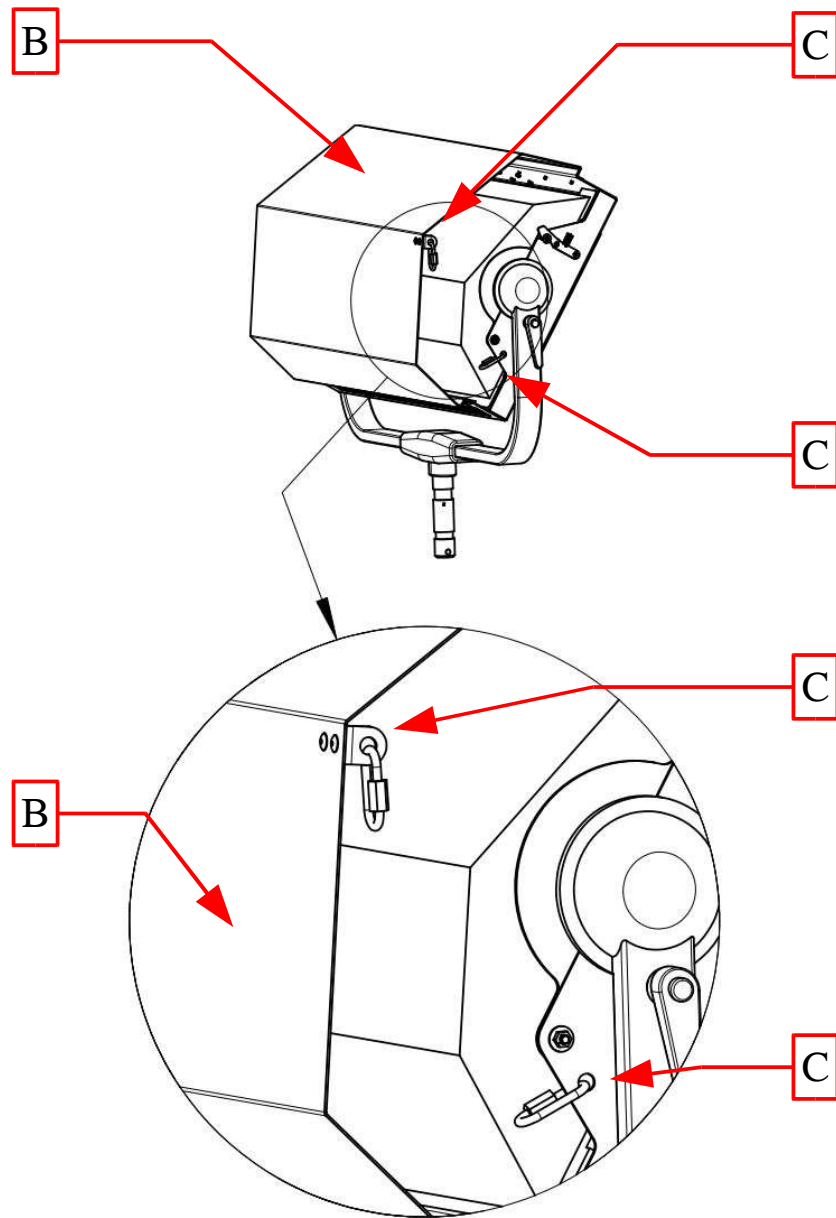
Before using the equipment the user must check the usefulness of the device for its intended purpose. In particular, Licht-Technik shall decline any liability for damages of the equipment as well as for consequential damages resulting of the device being used inappropriately, of inexpert installation, incorrect starting, use and noncompliance with the valid safety regulations.

Setup

Overview

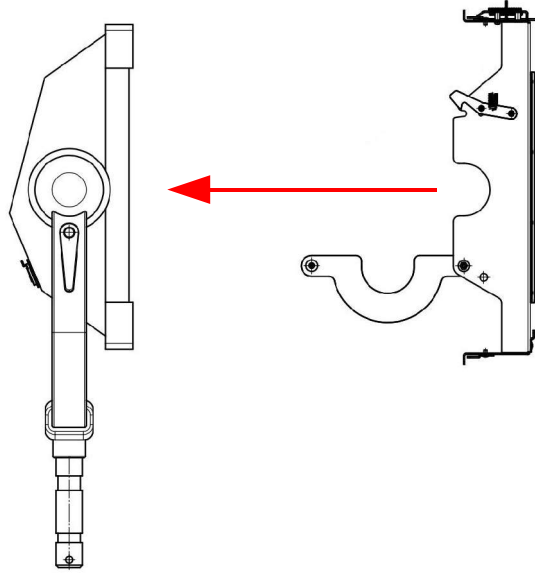


- A: Front cover
- B: Back cover
- C: Safety point
- D: Front cover lock
- E: Back cover lock
- F: Accessory lock

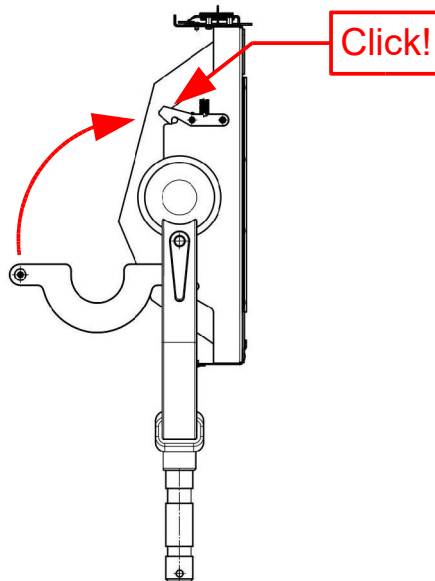


B: Back cover
C: Safety point

1. Mount the front cover with the locks open onto the front of the SkyPanel.

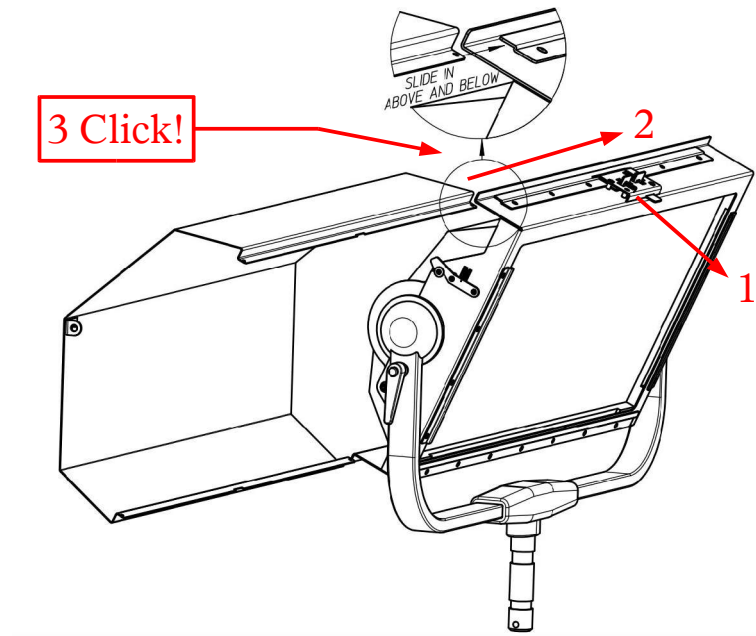


2. Close the locks on both sides until you hear a click and the locks fully embrace the Sky-Panel stirrup.

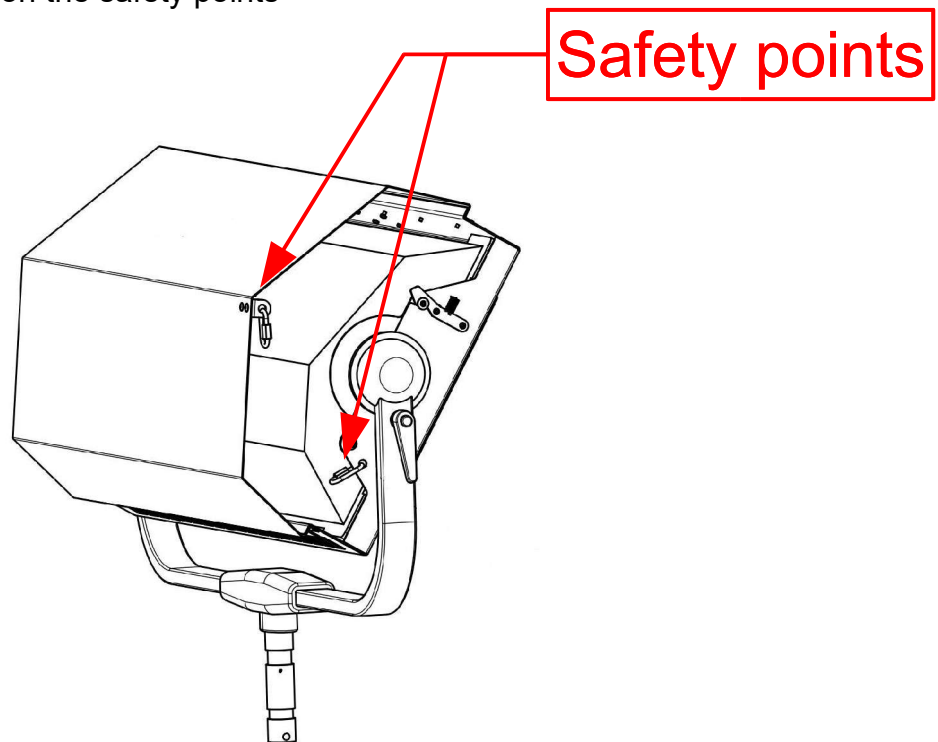


3. To Mount the back cover onto the front cover

1. Open and hold Backcover lock (1)
2. Slide Backcover on Frontcover (2)
3. Release Backcover lock
4. Slide Backcover until it snaps into lock ("Click") (3)



4. Use safety cables on the safety points



Technical data

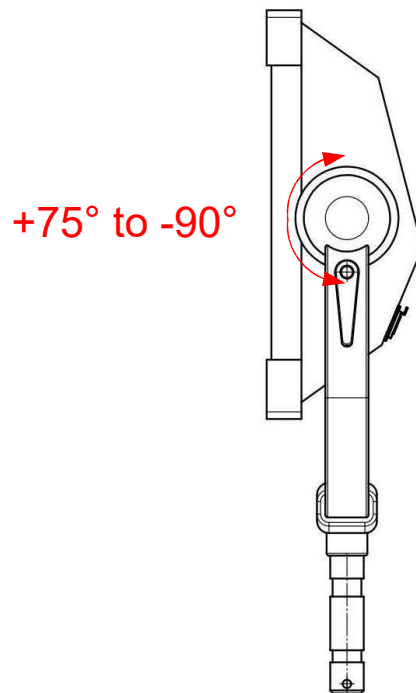
Weight and dimensions Raincover S60:

Length: 68,8cm
Width: 38,0cm
Height: 23,5cm
Weight: 2,68kg

Weight and dimensions Raincover S30:

Length: 39,5cm
Width: 38,0cm
Height: 23,5cm
Weight: 1,57kg

The device allows rain protection for ARRI Skypanel S30 or S60. Position can be 75° upwards and 90° downwards



Material front cover (light throughput)

Polycarbonat (Makrolon ®) 2mm, GP clear 099

Glow wire test:

800

Fire protection classification: Oxygen index (LOI) ISO 4589-2:

28%

Country/Region	Standard	Classification
Germany	DIN 4102	B1 (indoor) B2
	DIN 5510-2	S3 SR2 ST1
France	NF P 92-501&505	M2
	NF F 16-101&102	F2
Europe	EN 13501-1	B s1 d0
USA	UL94	HB

Material Aluminium

Aluminium AlMg3, medium hard, powder coated black surface.

EN AW-5754, H22

DIN EN515;573-3;485-1-2-4

Thickness: Backcover: 1mm
Lock: 2mm
All other: 1,5mm

Warranty

The warranty for this device is 2 years. It comprises any repair of failures – free of charge – which can be proved to result from defects of fabrication.

Warranty expires when:

- the device was modified or attempted to be repaired
- damages were caused by the intervention of foreign persons
- damages are due to noncompliance with the operating instructions
- the device was connected to an incorrect voltage or incorrect type of current
- the device was incorrectly operated or when damages were caused by negligent handling or misuse

Further information

This document and the information contained therein are subject to copyright and neither the whole nor any part of it may, and this is also valid for the described product, be reproduced, copied or recorded in any form without the prior written authorization of *Licht-Technik Vertriebs GmbH*.

The products of *Licht-Technik GmbH* are subject to constant development. Therefore *Licht-Technik* reserves the right to modify components, motors and also technical specifications any time and without prior notice.


All maintenance and servicing works related to the product must be carried out by the company *Licht-Technik*. *Licht-Technik* shall not assume any liability for losses or damages of any kind being the results of inexpert servicing.

EC Declaration of Conformity

1. **Type of device/product** Rain protection LT-rain cover S30, S60
2. **Name and address of manufacturer** Licht-Technik Vertriebs GmbH
Osterwaldstraße 9-10
80805 München
3. **The manufacturer is responsible for this declaration**
4. **Device of declaration:** LT-rain cover
5. **The described item is conform to the following guidelines/regulations:**
RICHTLINIE 2011/65/EU DES EUROPÄISCHEN PARLAMENTS UND DES RATES vom 8. Juni 2011
zur Beschränkung der Verwendung bestimmter gefährlicher Stoffe in Elektro- und Elektronikgeräten
6. **Not applicable**
7. **Not applicable**
8. **This declaration is invalid if the device is changed technically and/or unintended use.**

Signed for: Licht-Technik Vertriebs GmbH

Place and date of description : München 27.9.2017



Uwe Hagenbach (managing director)



Bernhard Grill (managing director)