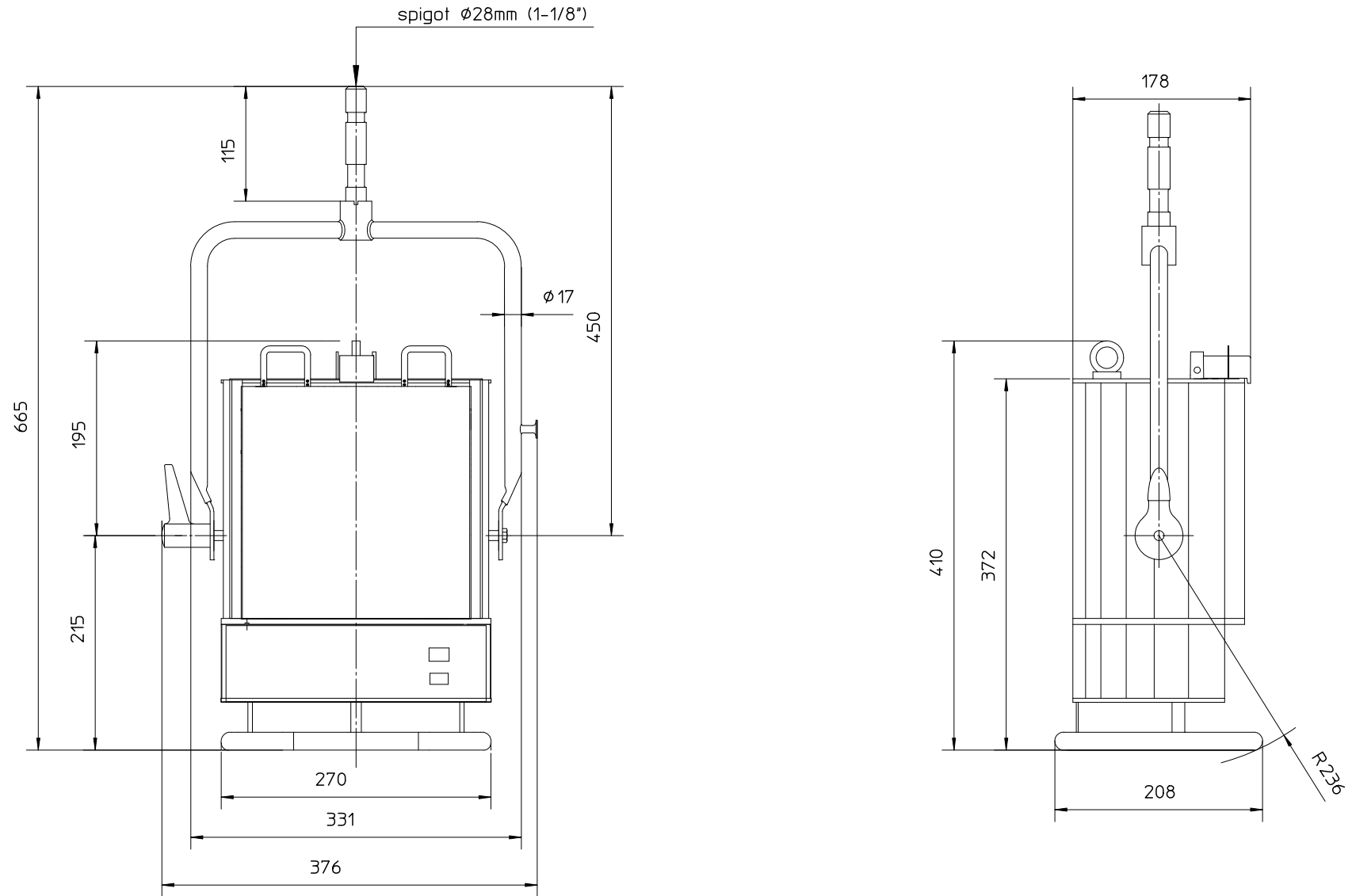



Schutzvermerk nach DIN34 beachten



Scheinwerfertyp type of lamphead	ARRI X5	Frontscheibe front screen	215x235mm 8.5x9.3 "	Packmass packed size	410x440x510 mm 16.14x17.32x20.08 "	Gewicht net weight	8 kg 17.6 lbs	 Arnold & Richter Cine Technik Pulvermuehle D-83071 Stephanskirchen
Leuchtmittel lamp	HMI 575W/SE	Zubehoer accessories	247 mm 9.7 "	Packvolumen packed volume	92 l 3.249 ft3	Dateiname file name	x5_mb_02	
Lampensockel lamp base	G22	Fluegeltor barndoor	247 mm 9.7 "	Packgewicht packed weight	9.5 kg 20.94 lbs	Version / Stand version / as at...	1.1/10.07.06	